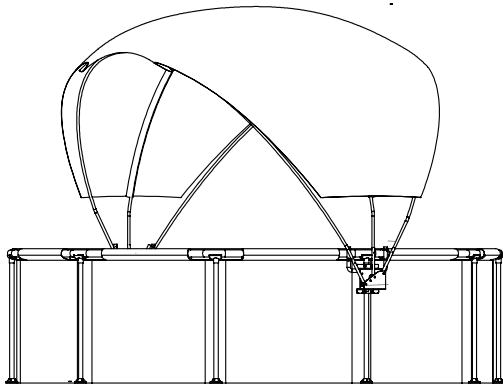
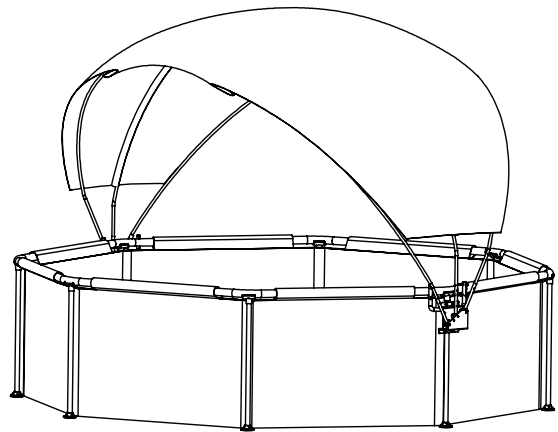
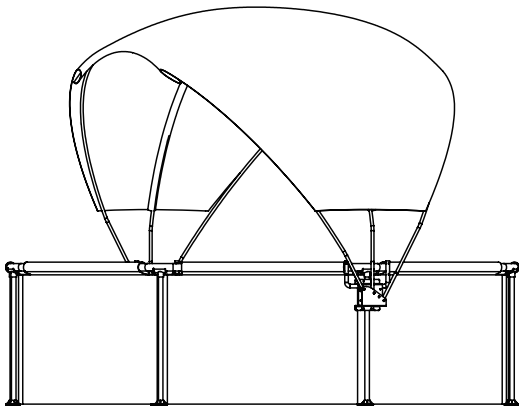




# Pool Canopy

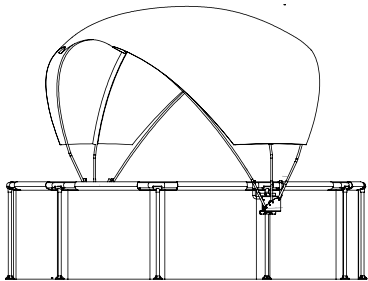
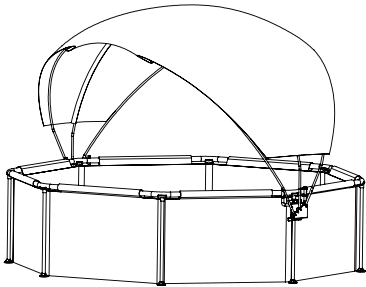
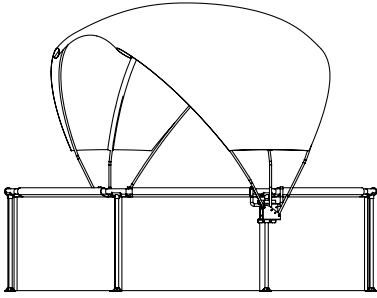
EXIT Pool Canopy  $\varnothing 244/\varnothing 300/\varnothing 360$



 **WARNING**  
CHOKING HAZARD  
small parts  
Adult assembly required  
retain for future reference

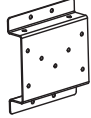



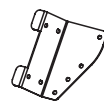
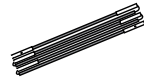









## EXIT Pool Canopy $\varnothing 244 / \varnothing 300 / \varnothing 360$



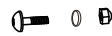




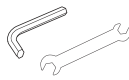



# Pool Canopy

EXIT Pool Canopy ø244/ø300/ø350

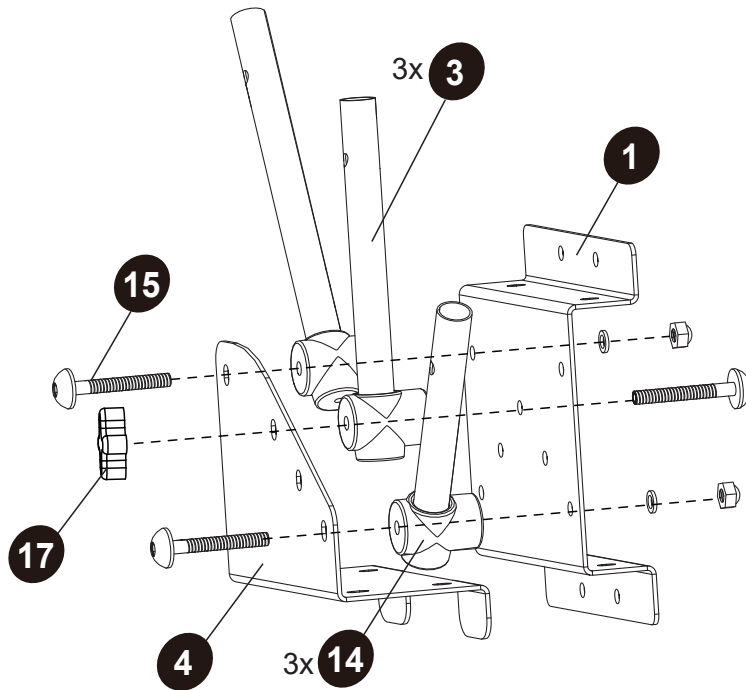
- 1  2X PD1000
- 2  4X PD1036
- 3  6X PD1055
- 4  1X PD1012
- 5  1X PD1014
- 6  3X  
\*4100mm PD1085\*  
\*\*4800mm PD1087\*\*  
\*\*\*5760mm PD1089\*\*\*
- 7  1X  
PD1086\*  
PD1088\*\*  
PD1101\*\*\*

- 8  \*8/\*\*10ft 2.4M PD1077  
\*\*\*12ft 2.9M PD1117\*\*\*  
\*2X  
\*\*4X  
\*\*\*4X
- 9  1.2M PD1078  
\*1X  
\*\*2X  
\*\*\*2X
- 10  0.24M PD1079  
\*2X  
\*\*4X  
\*\*\*4X
- 11  0.6M PD1080  
\*2X  
\*\*4X  
\*\*\*4X
- 12  2X PD1081
- 13  \*2X PD1114  
\*\*4X PD1914\*  
\*\*\*4X PD1912

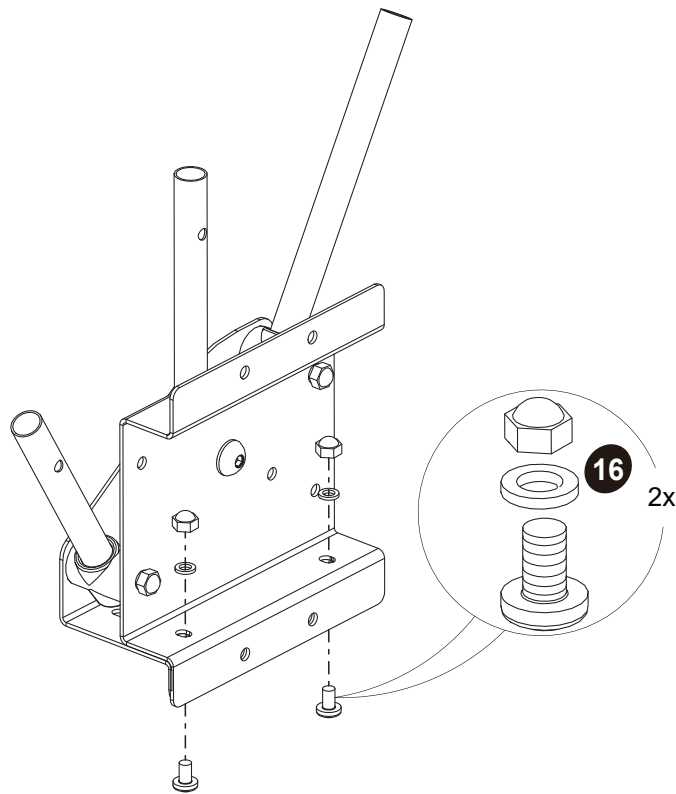
- 14  6X PD1057
- 15  M6xL50mm PD1116  
6X
- 16  4X PD1083
- 17  2X PD1084
- 18  M6XR25 PD1030  
4X
- 19  M6XR30 PD1115  
4X
- 20  M6X30mm PD1033  
4X
- 21  1X TOOLS
- 22  M6xL85mm PD1082  
6X PD1915

\* Swimming Pool Canopy 8ft  
 \*\* Swimming Pool Canopy 10ft  
 \*\*\* Swimming Pool Canopy 12ft

**1**



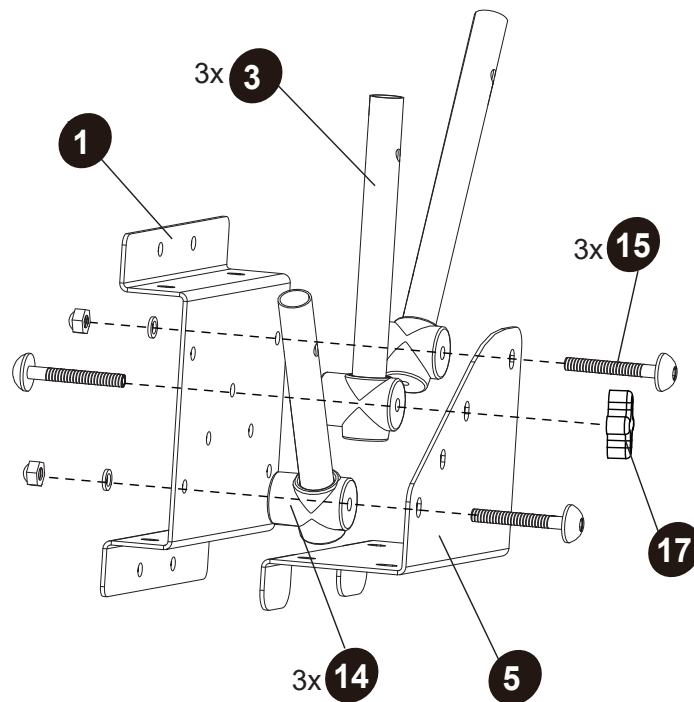
**2**



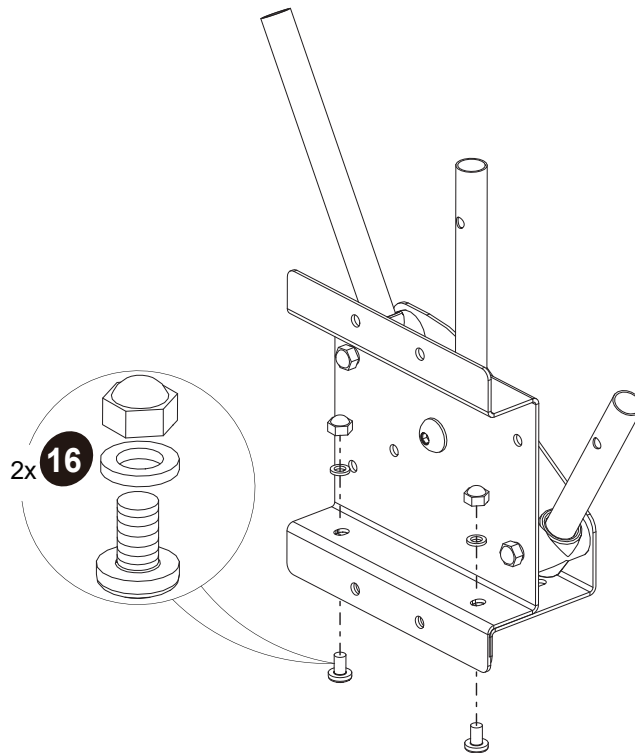
# Pool Canopy

EXIT Pool Canopy ø244/ø300/ø360

3

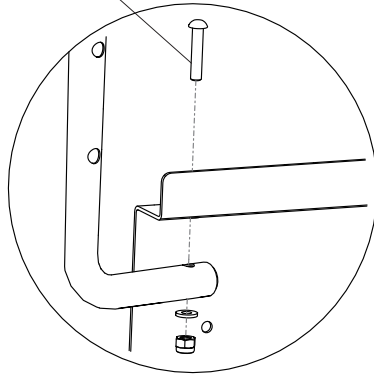


4

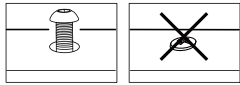
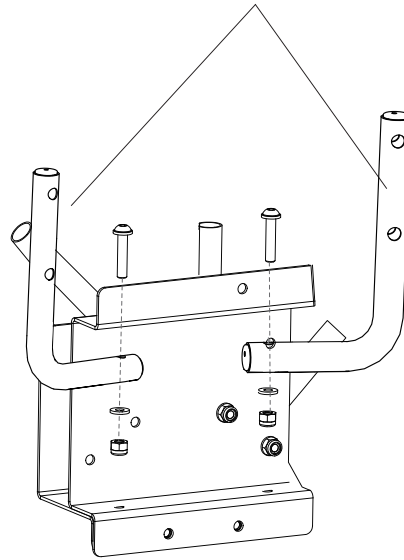


**5**

2x **20**

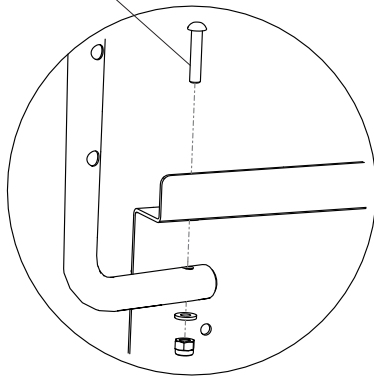


2x **2**

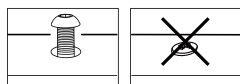
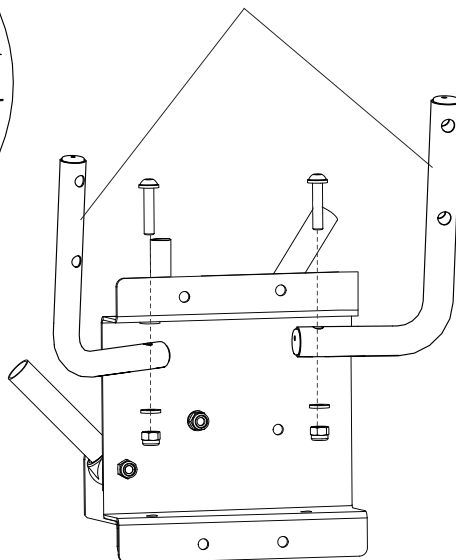


**6**

2x **20**



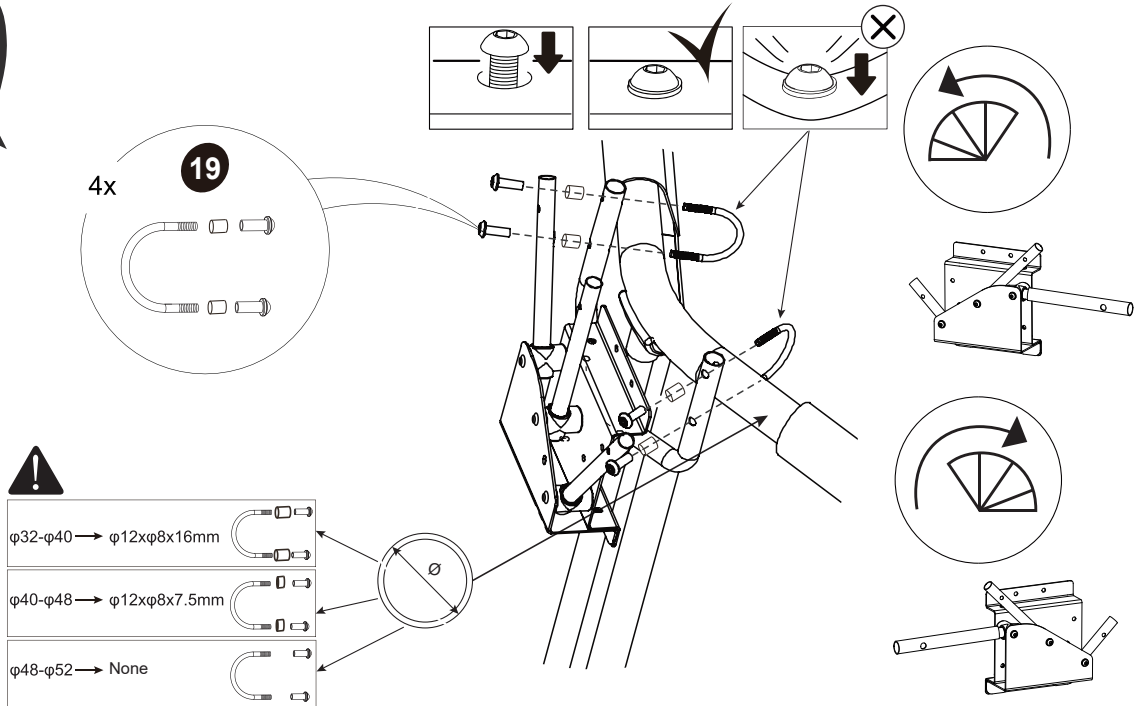
2x **2**



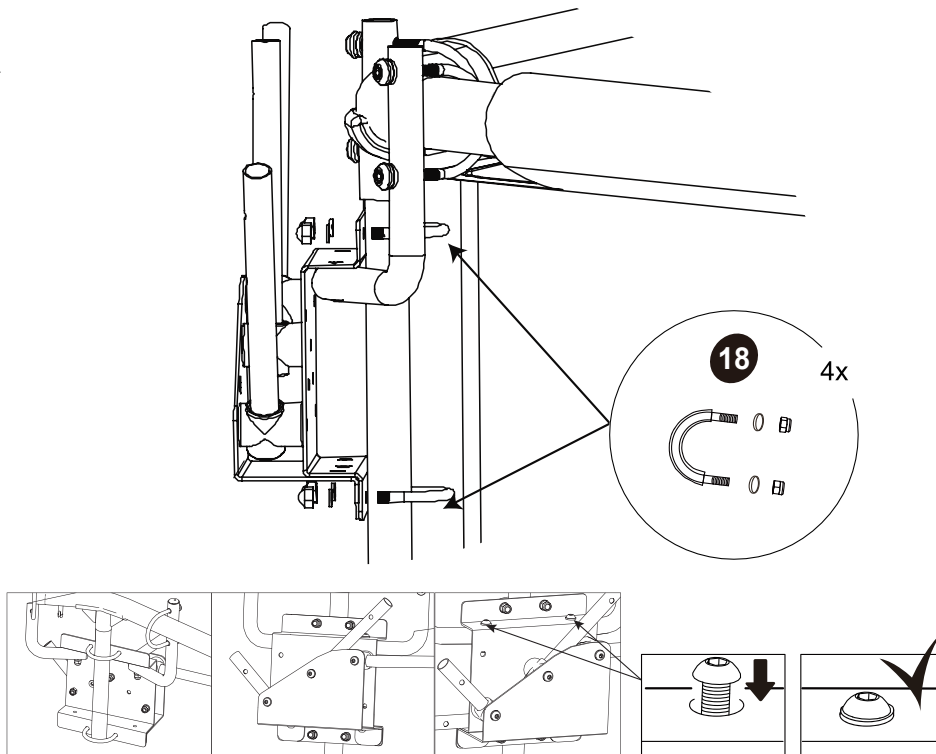
# Pool Canopy

EXIT Pool Canopy  $\varnothing 244/\varnothing 300/\varnothing 360$

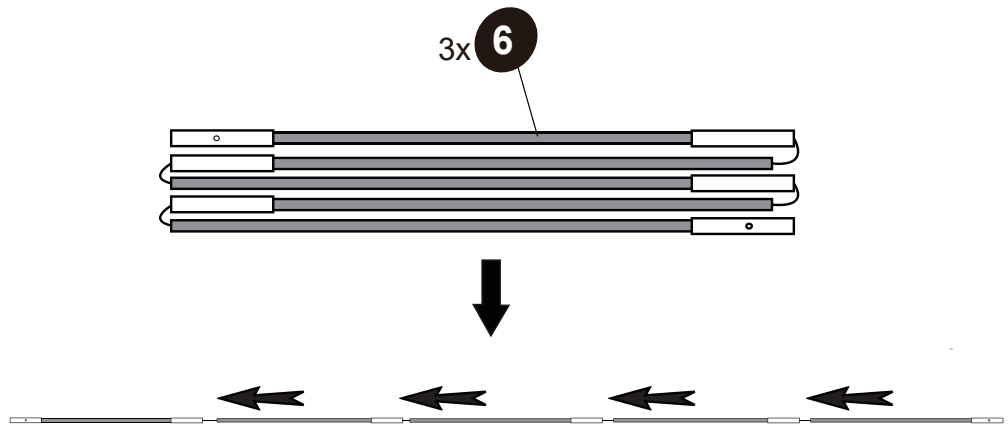
**7**



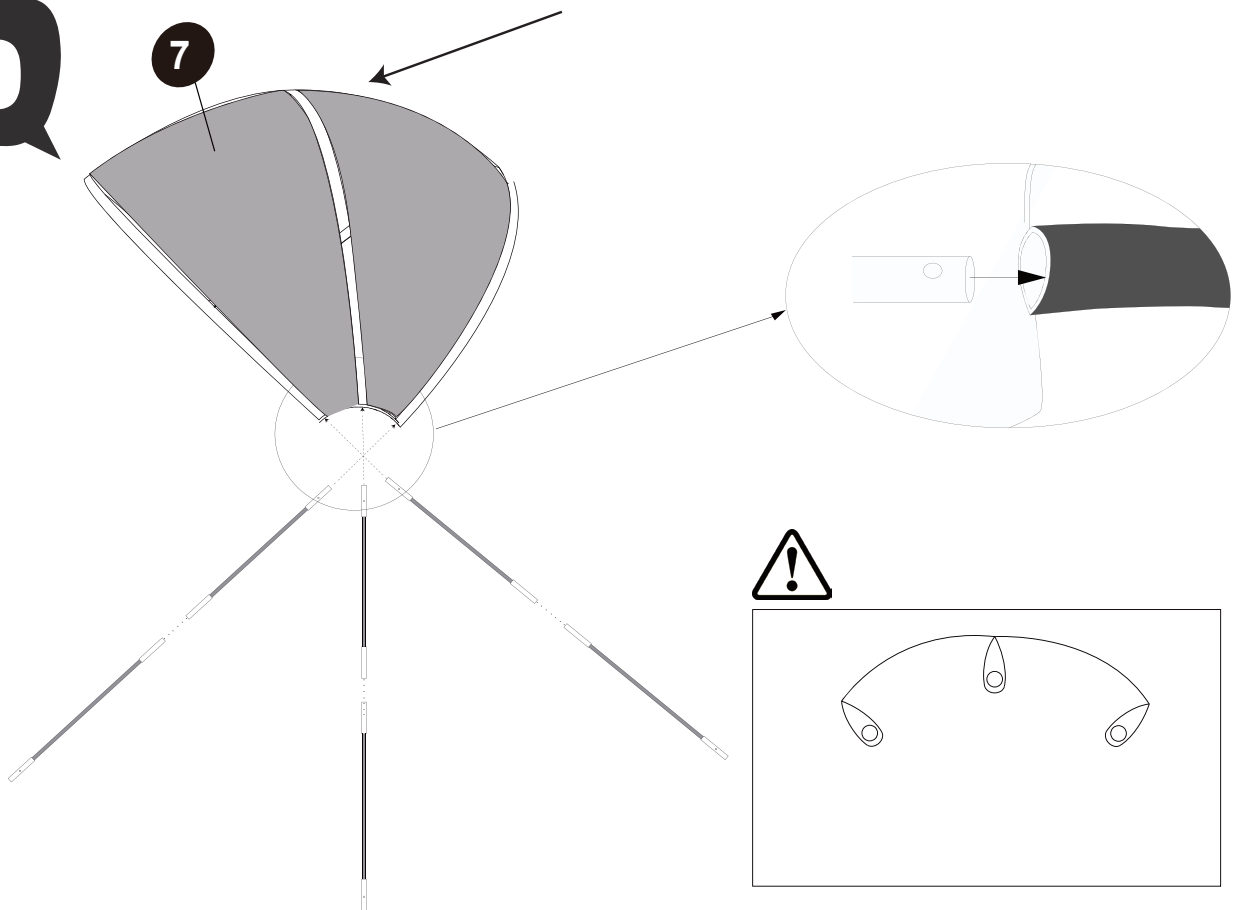
**8**



**9**



**10**

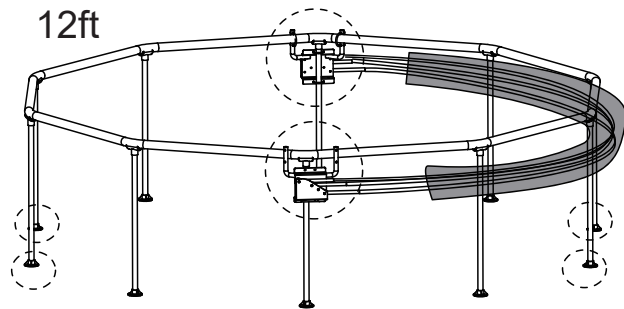
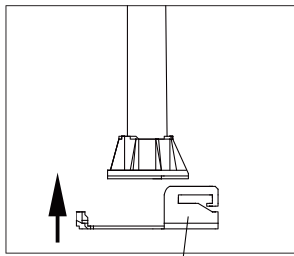
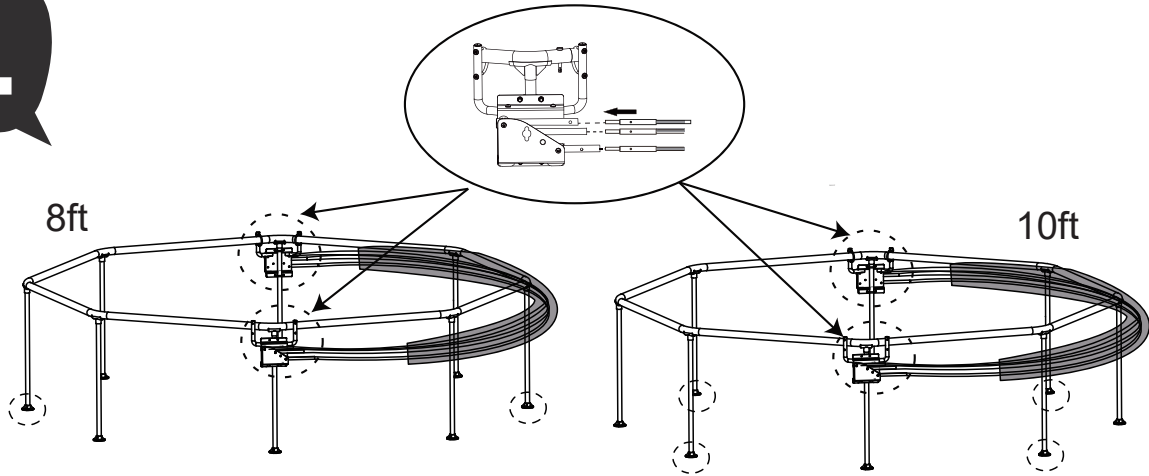




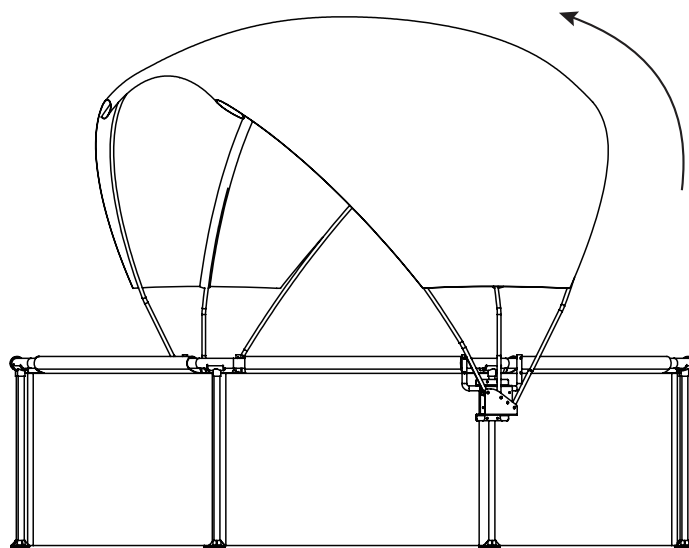
# Pool Canopy

EXIT Pool Canopy ø244/ø300/ø360

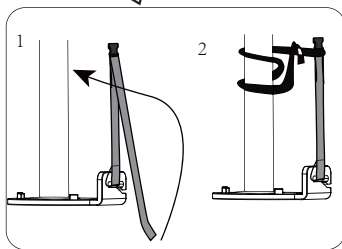
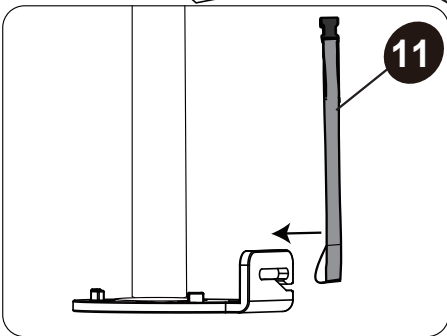
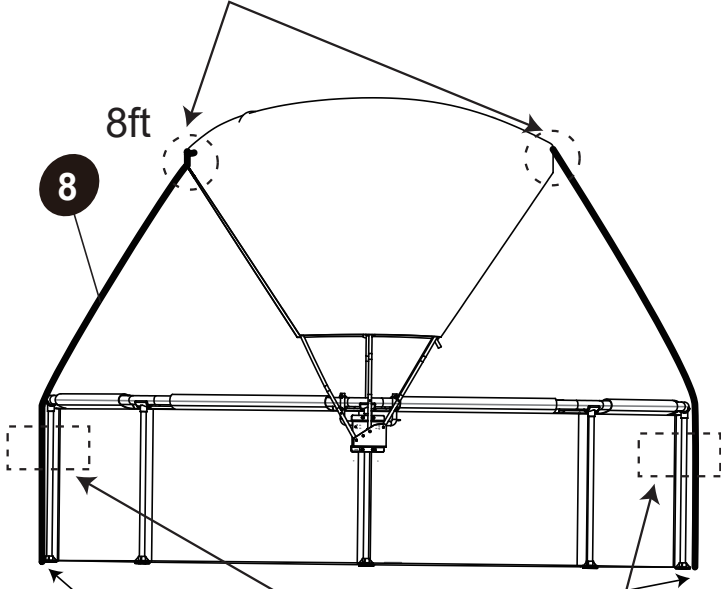
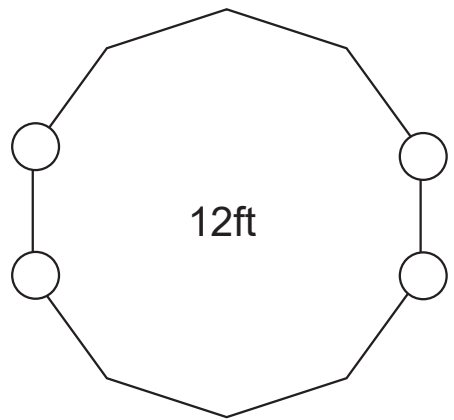
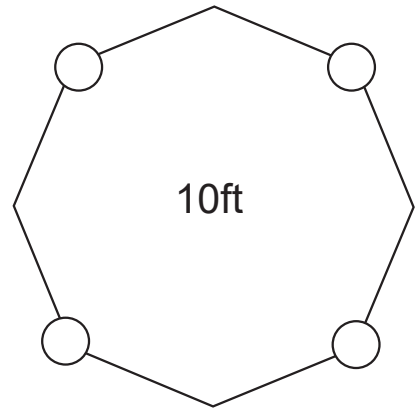
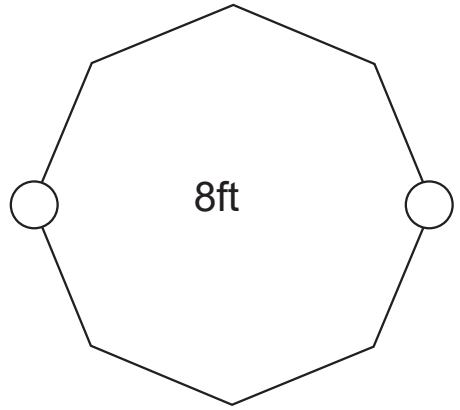
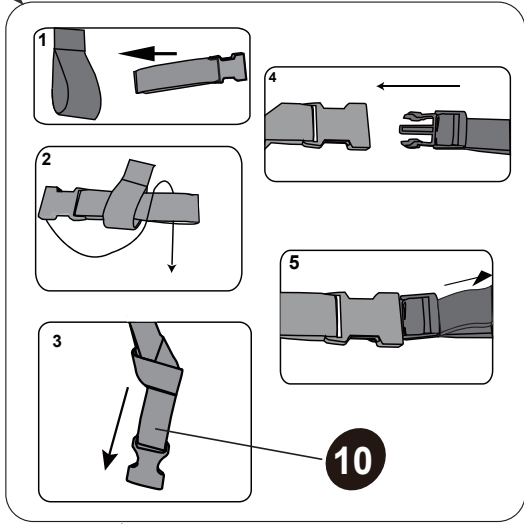
**11**



8ft	2x	<b>13</b>
10ft/12ft	4x	<b>13</b>



**12**

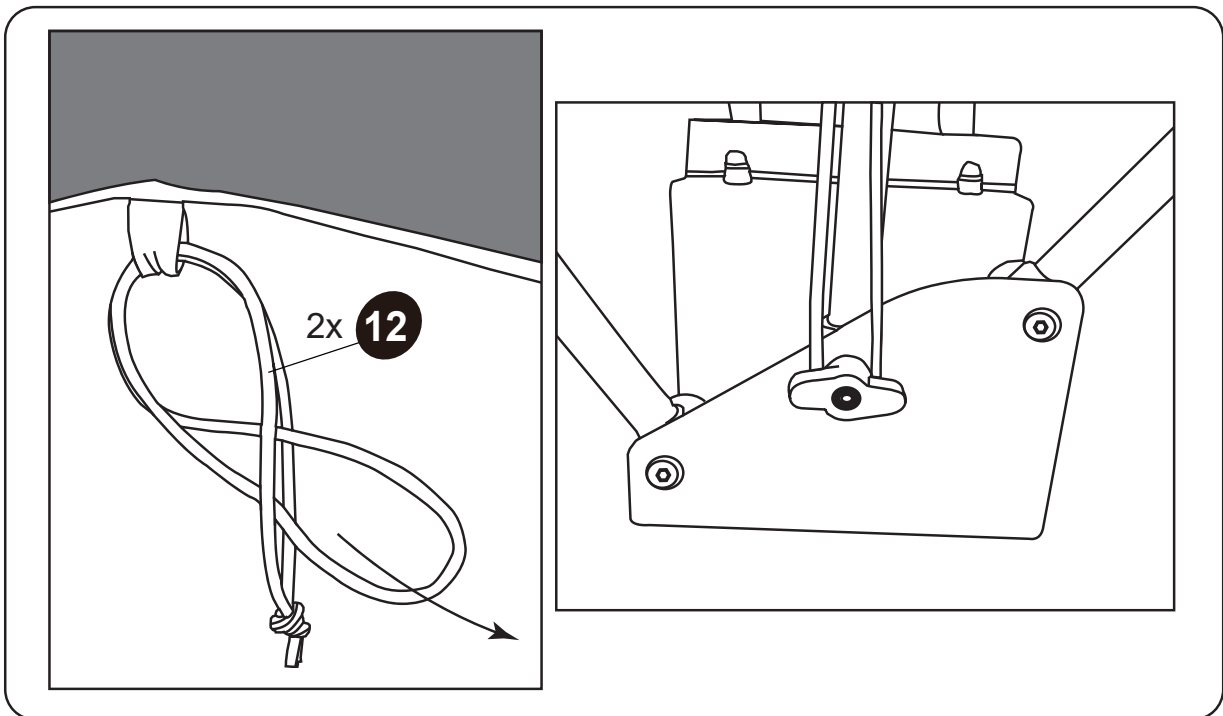
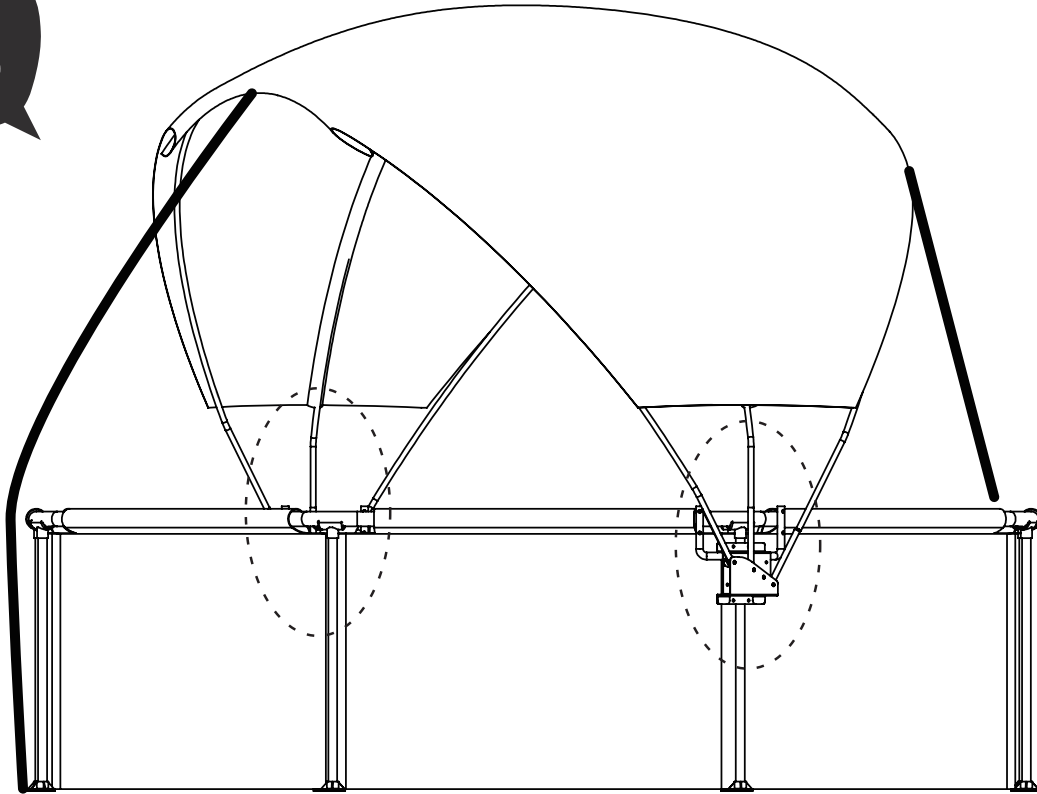


8ft	2x	<b>8</b>	<b>10</b>	<b>11</b>
10ft/12ft	4x	<b>8</b>	<b>10</b>	<b>11</b>

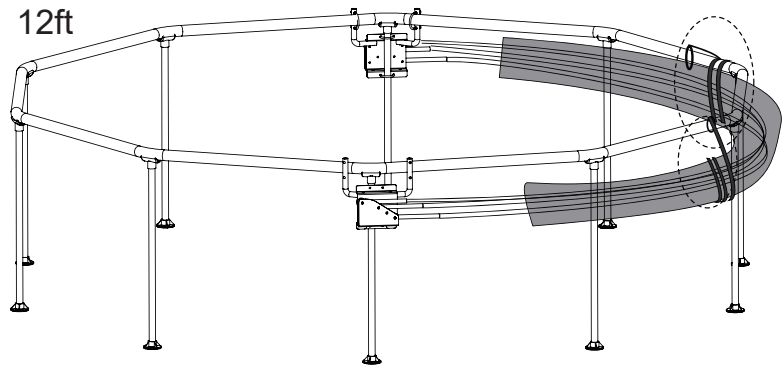
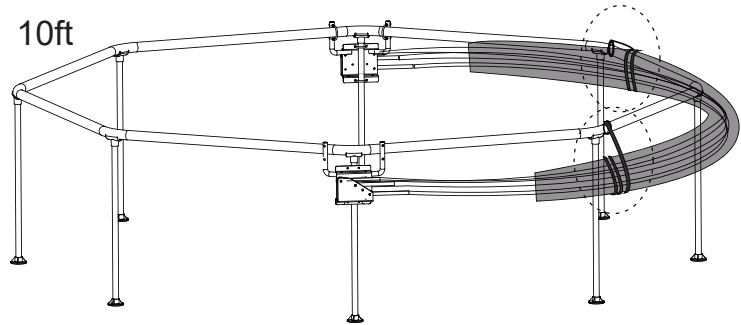
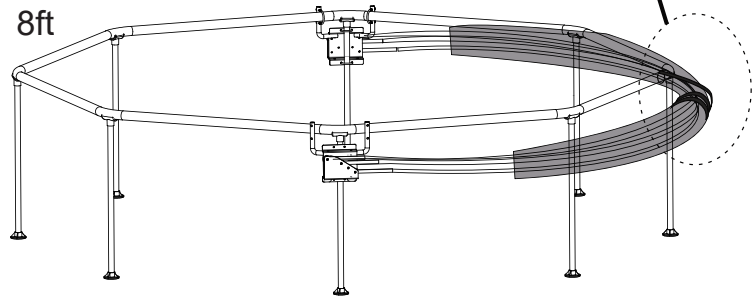
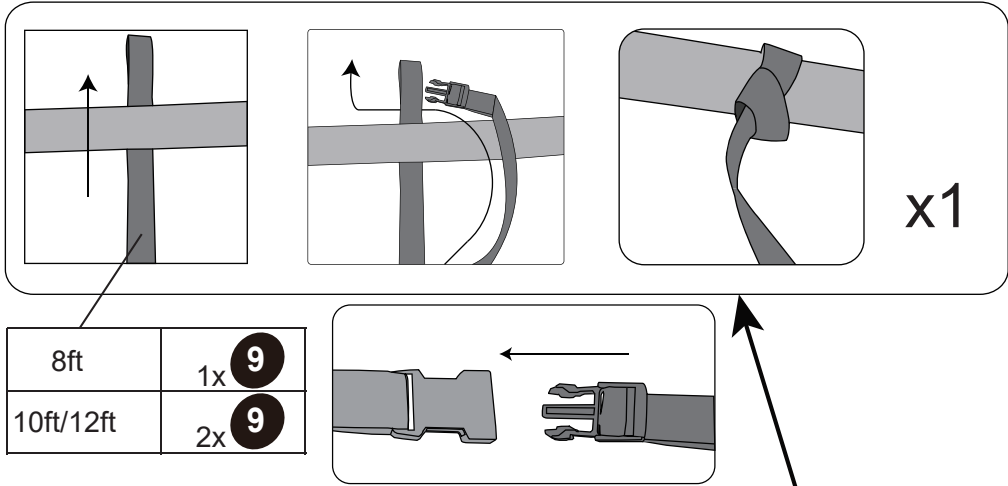
# Pool Canopy

EXIT Pool Canopy ø244/ø300/ø360

**13**

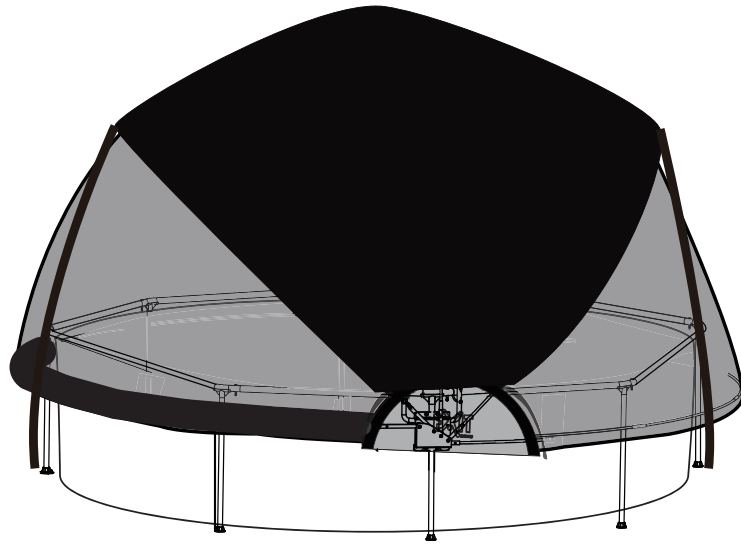


**14**

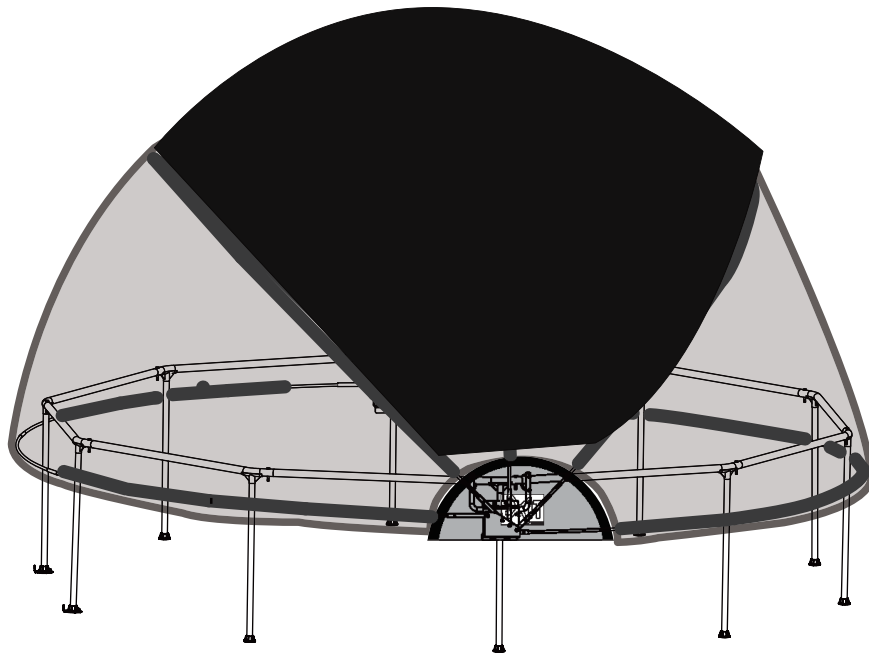


# Pool Canopy

EXIT Pool Canopy ø244/ø300/ø360

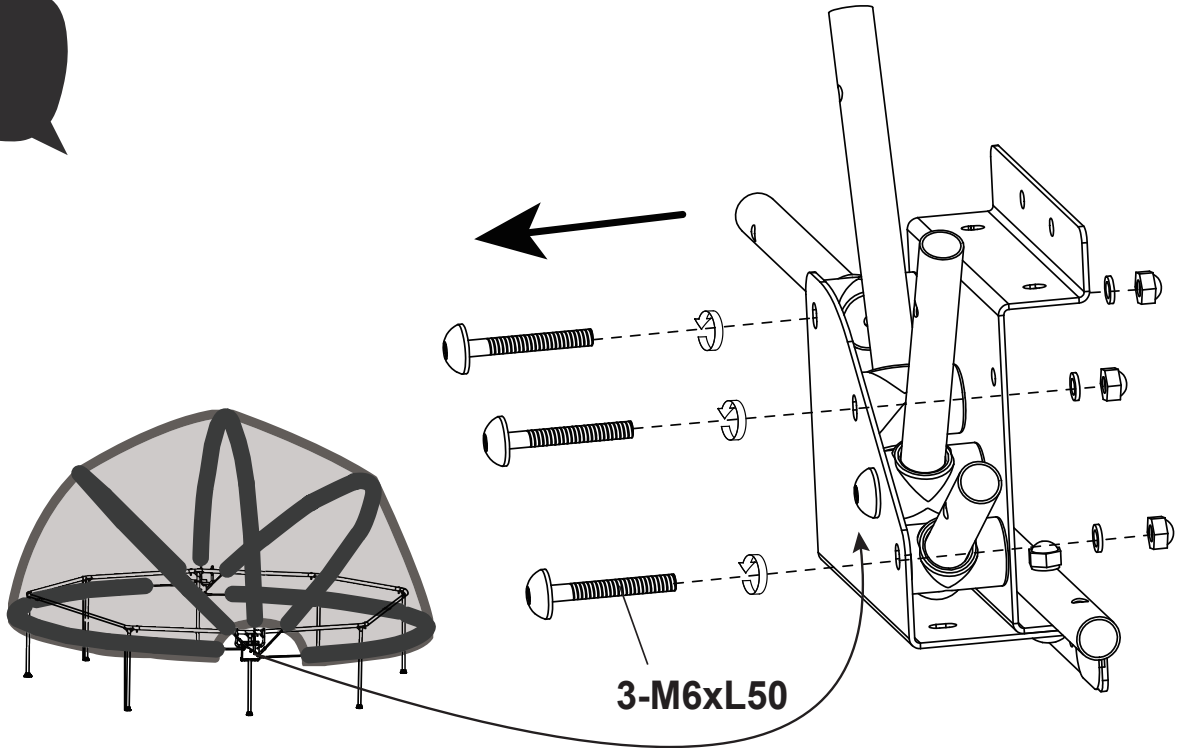


8ft/10ft

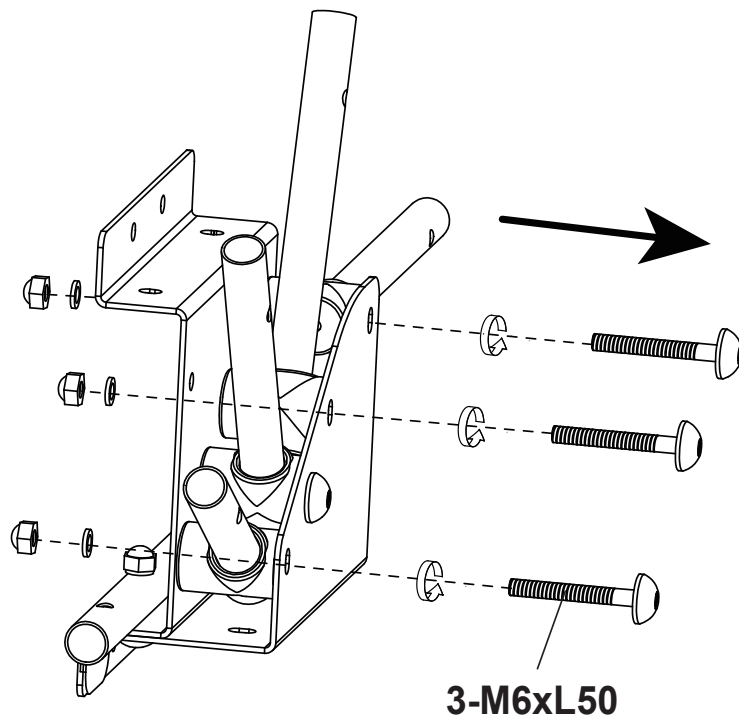


12ft

**1**



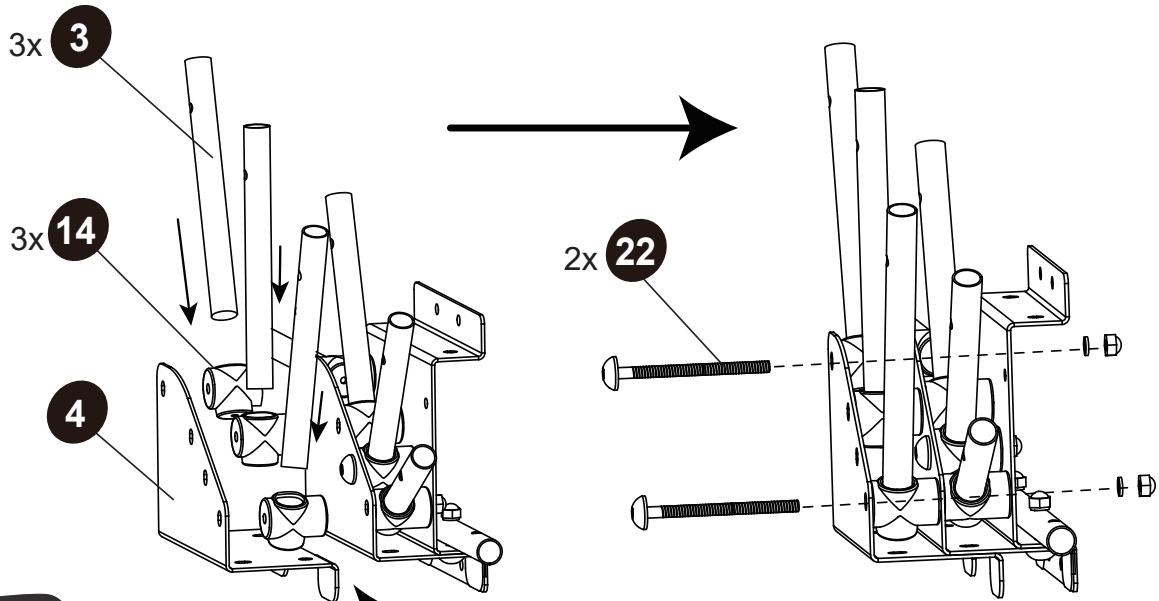
**2**



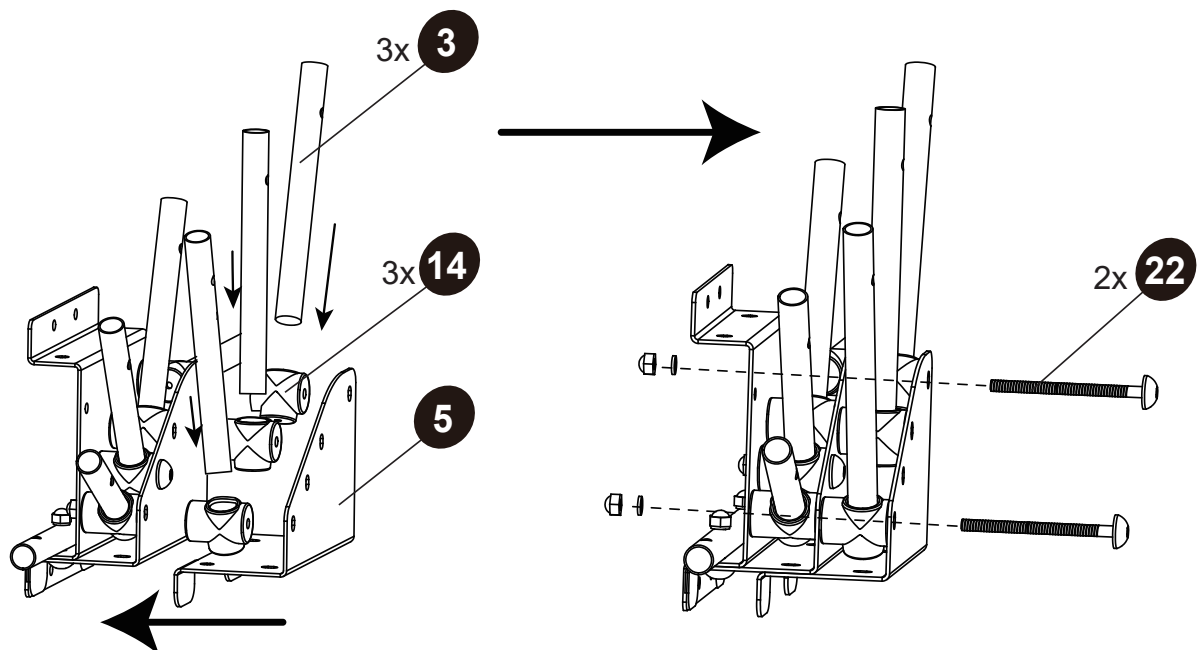
# Pool Canopy

EXIT Pool Canopy ø244/ø300/ø360

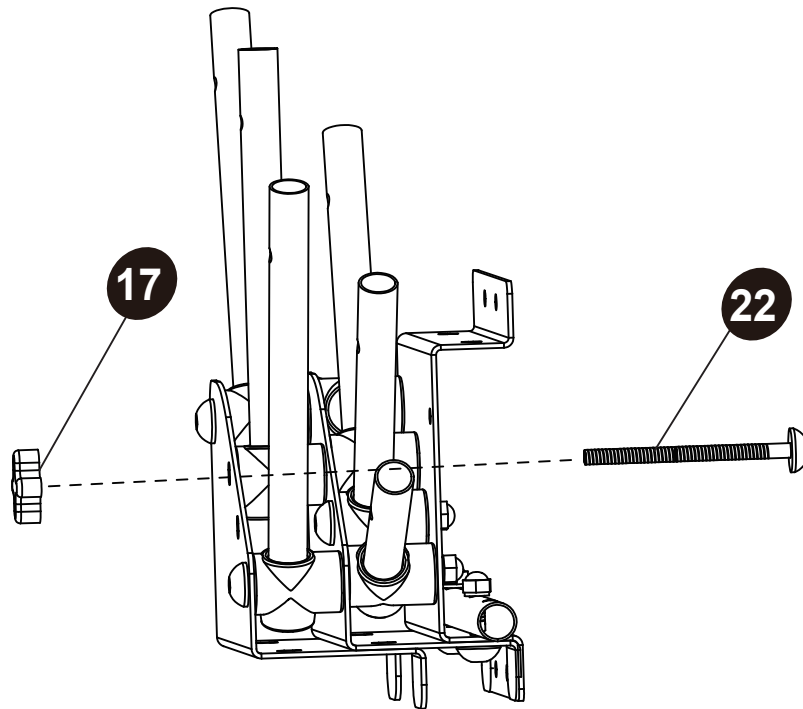
**3**



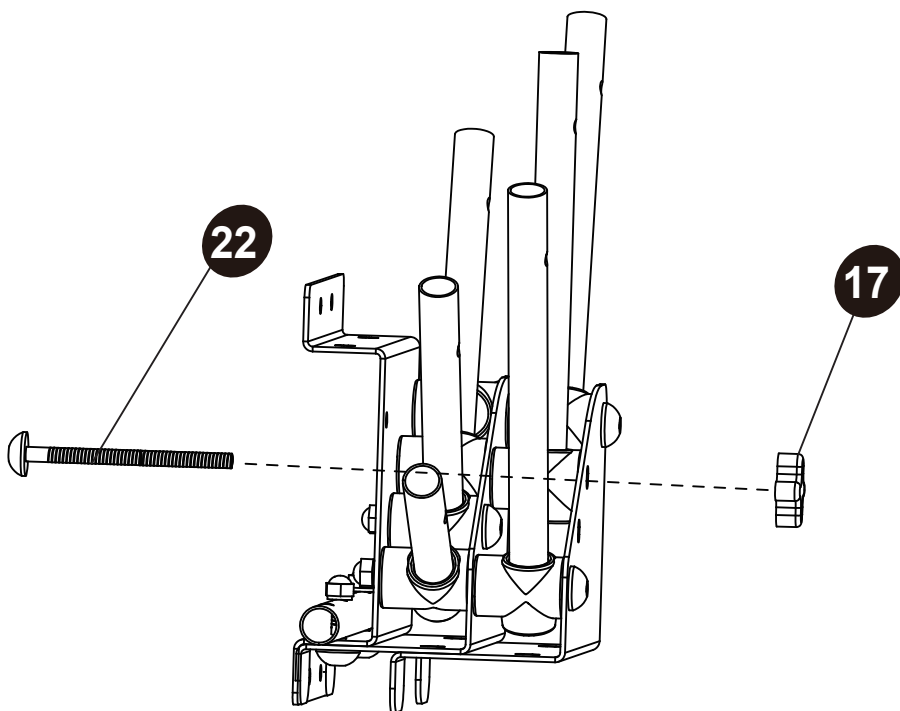
**4**



**5**



**6**

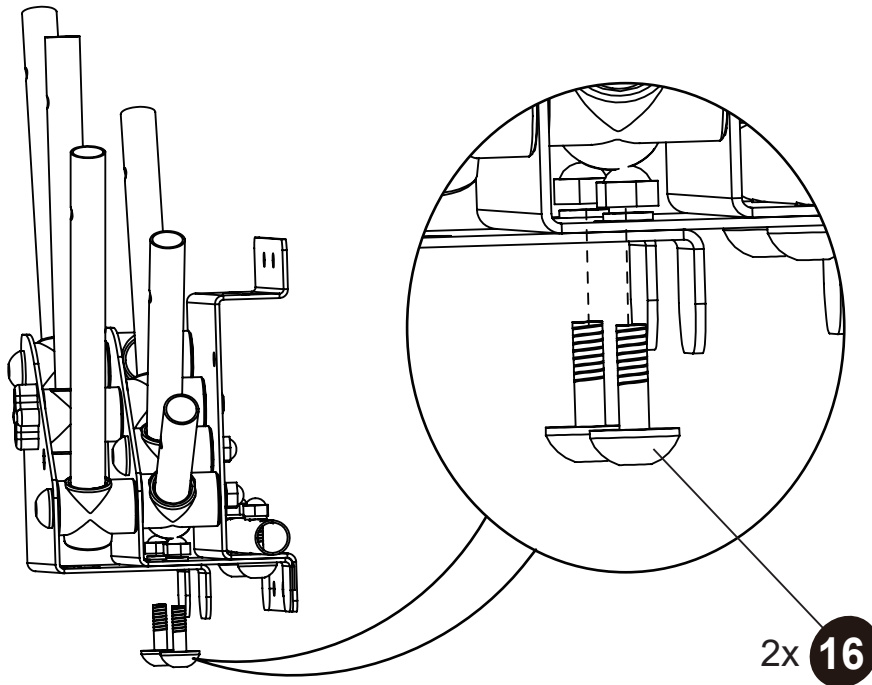




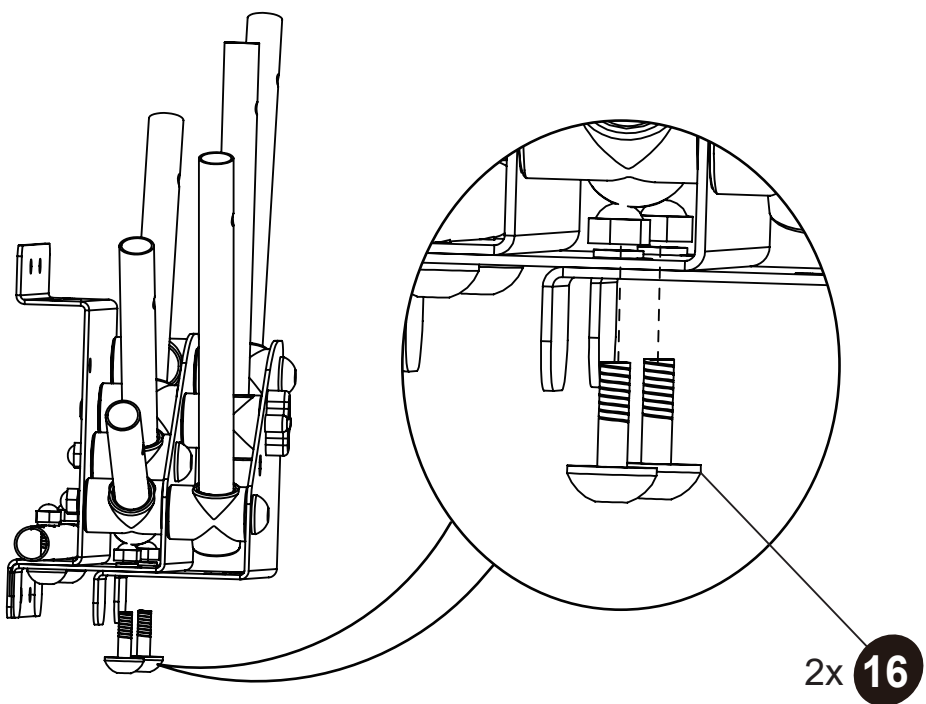
# Pool Canopy

EXIT Pool Canopy ø244/ø300/ø360

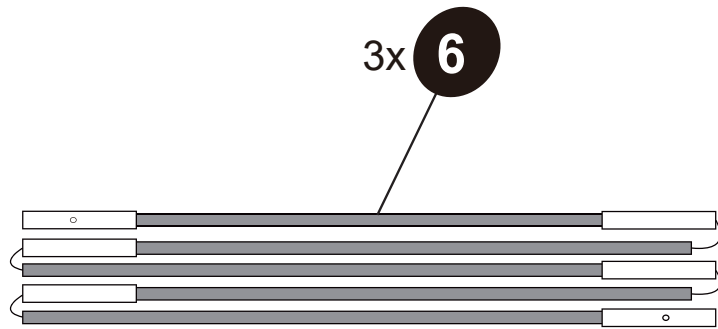
7



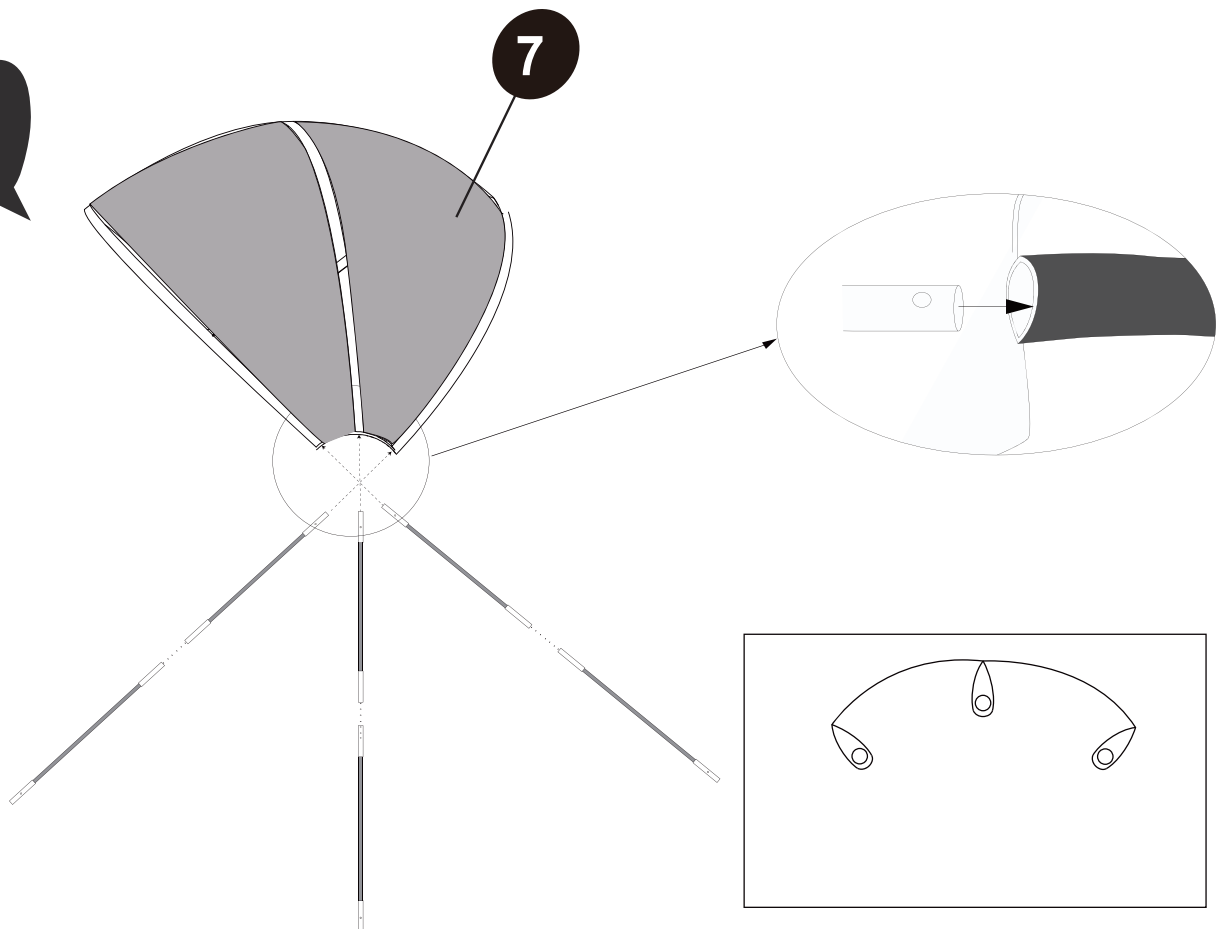
8



**9**



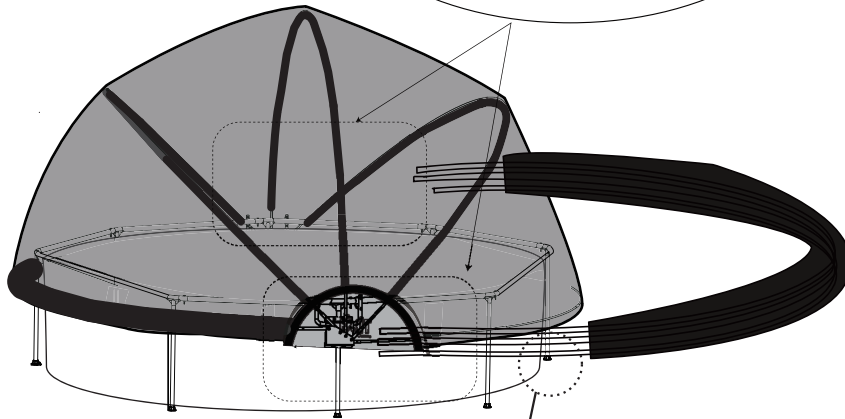
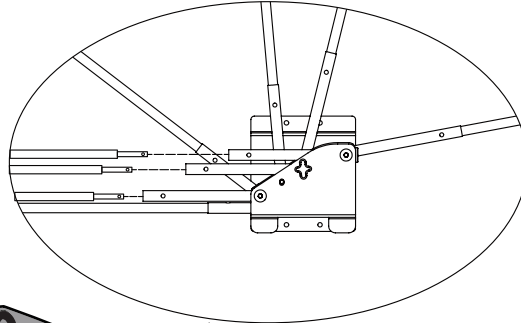
**10**



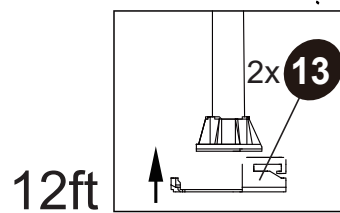
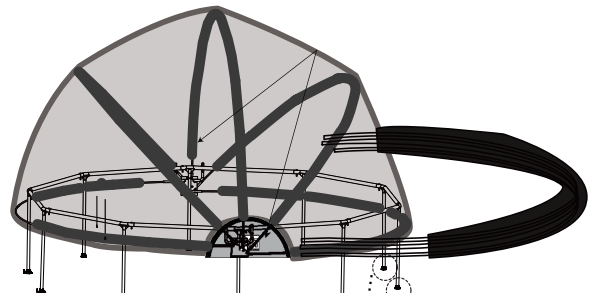
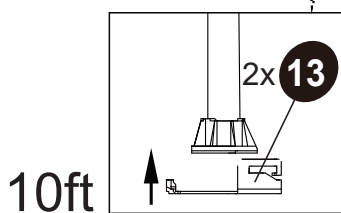
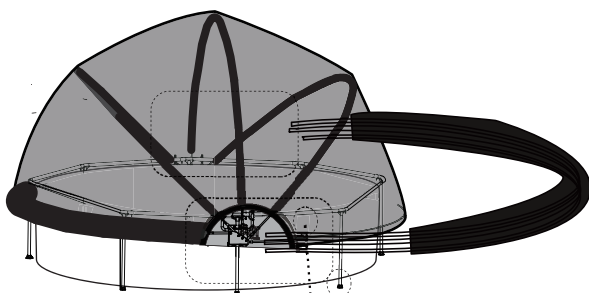
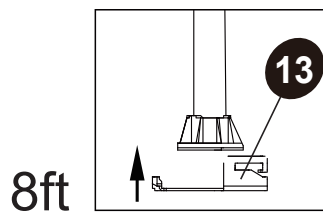
# Pool Canopy

EXIT Pool Canopy ø244/ø300/ø360

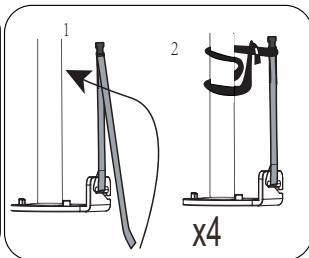
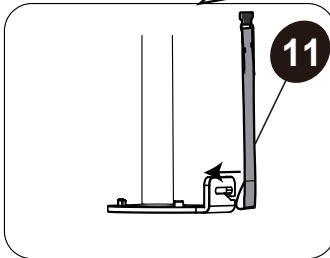
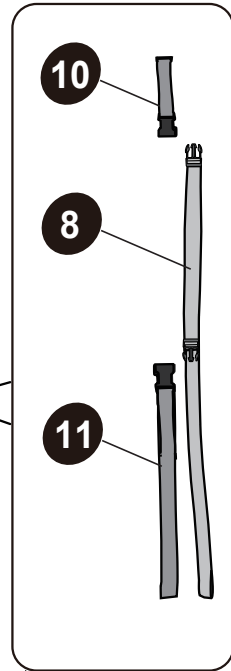
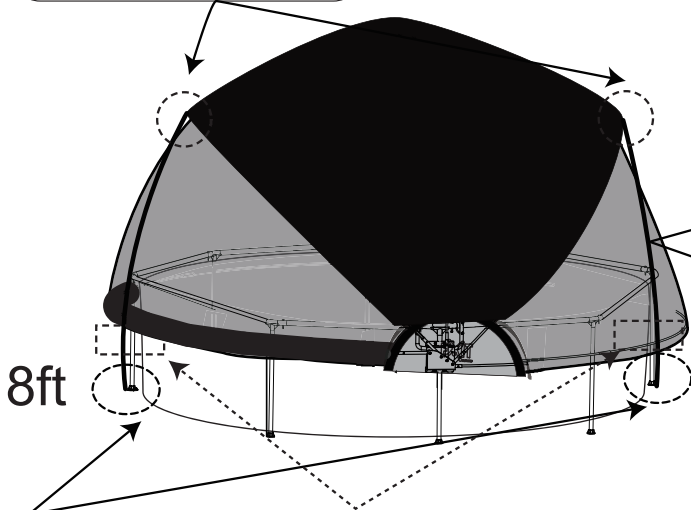
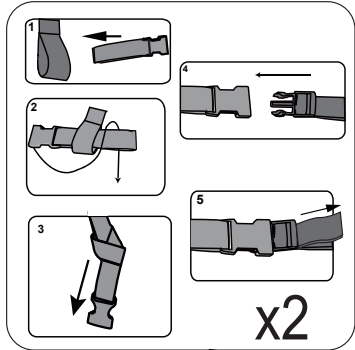
**11**



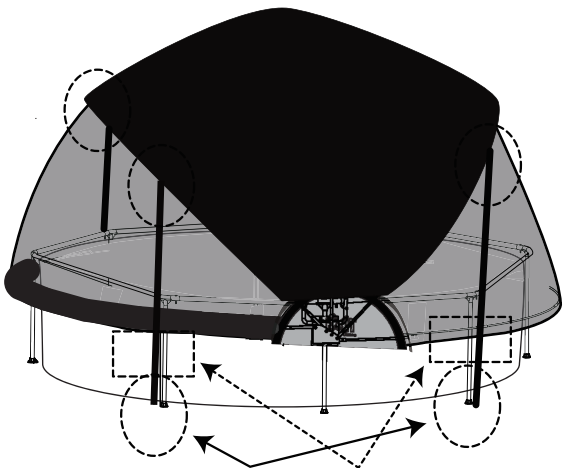
**12**



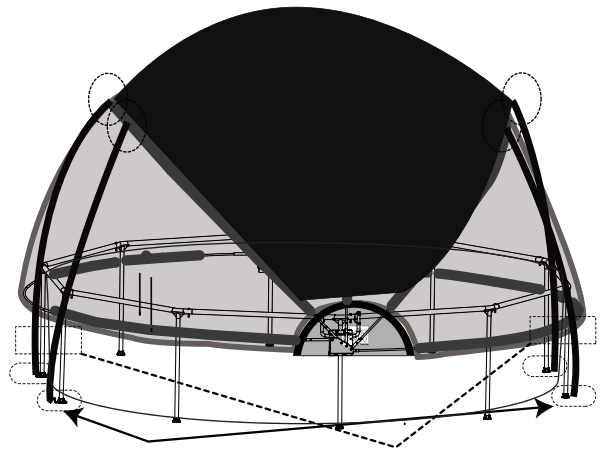
**13**



8ft	2x	8	10	11
10ft/12ft	4x	8	10	11



10ft

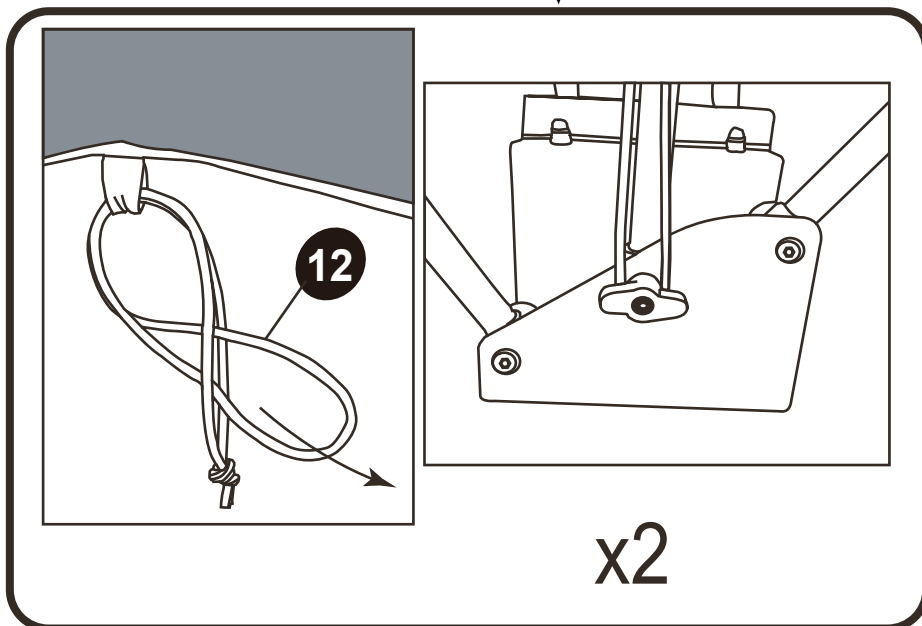
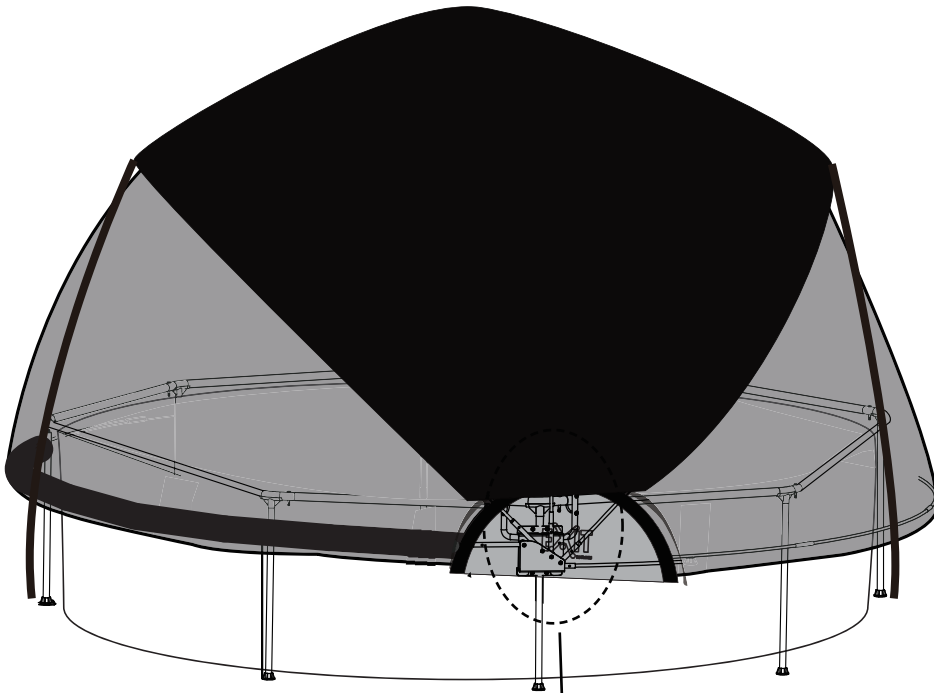


12ft

# Pool Canopy

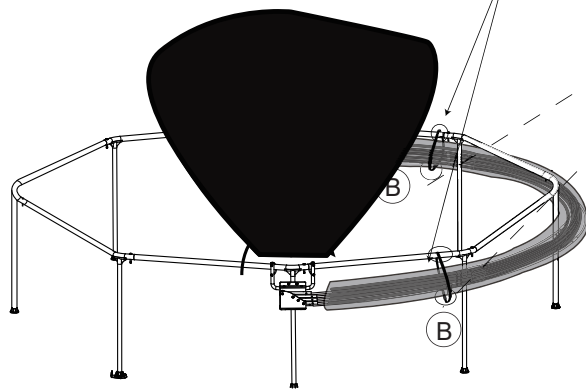
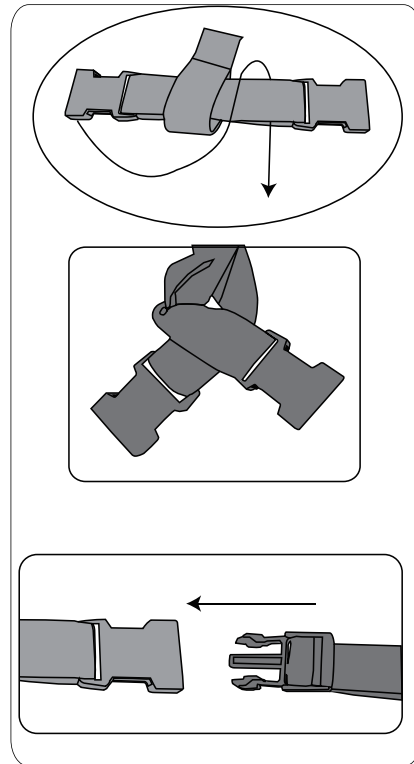
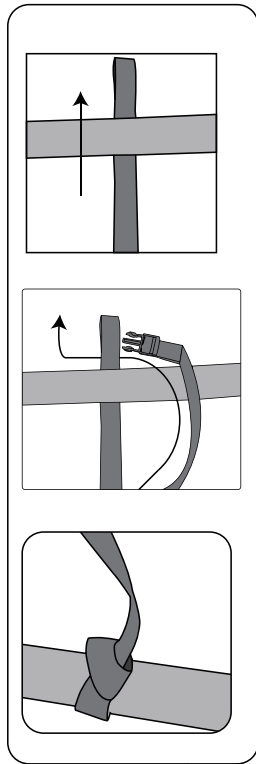
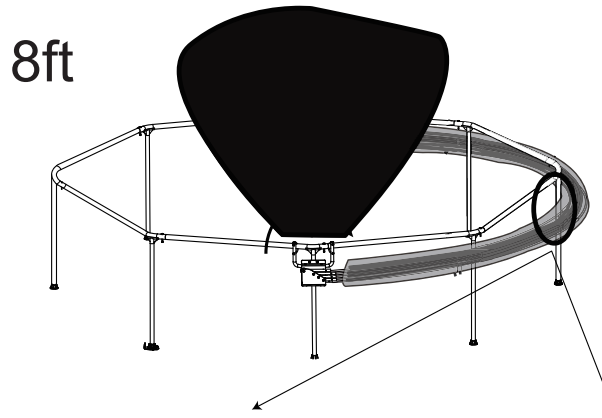
EXIT Pool Canopy ø244/ø300/ø360

**14**

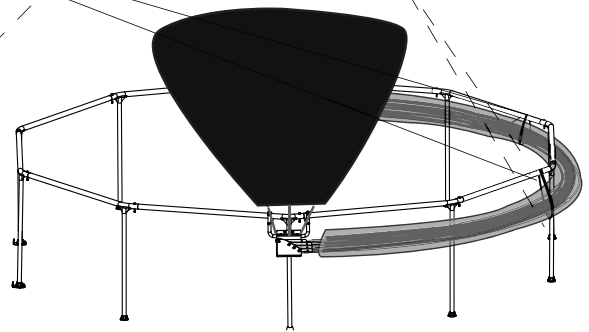


**15**

8ft



10ft

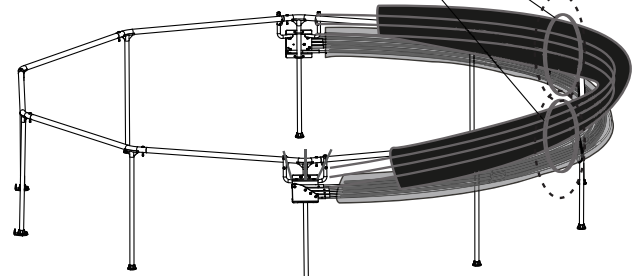
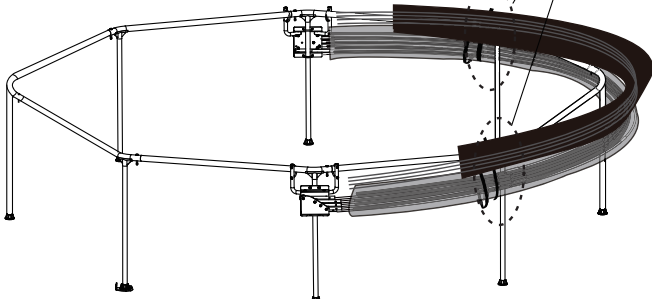
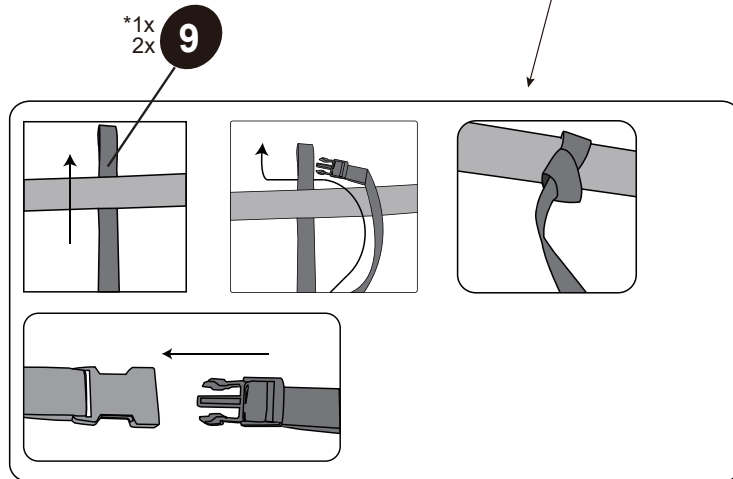
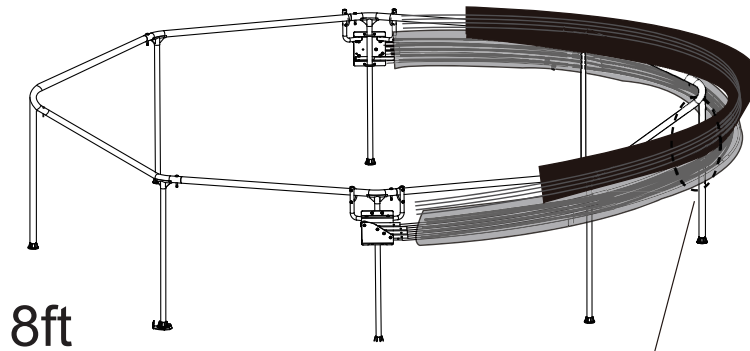


12ft

# Pool Canopy

EXIT Pool Canopy ø244/ø300/ø360

**16**





[www.exittoys.com](http://www.exittoys.com)

**Contact Information:**

Dutch Toys Group B.V.  
Edisonstraat 83  
7006 RB Doetinchem, The Netherlands

[info@exittoys.com](mailto:info@exittoys.com)  
[www.exittoys.com](http://www.exittoys.com)

EXIT Toys is part of:

**SIMBA · DICKIE · GROUP**

EXIT Toys is a registered trade mark of Dutch Toys Group