




POOLEX
NANO
/// ACTION

-  Installation and user manual
-  Installations und Gebrauchsanleitung
-  Installatie en gebruikershandleiding



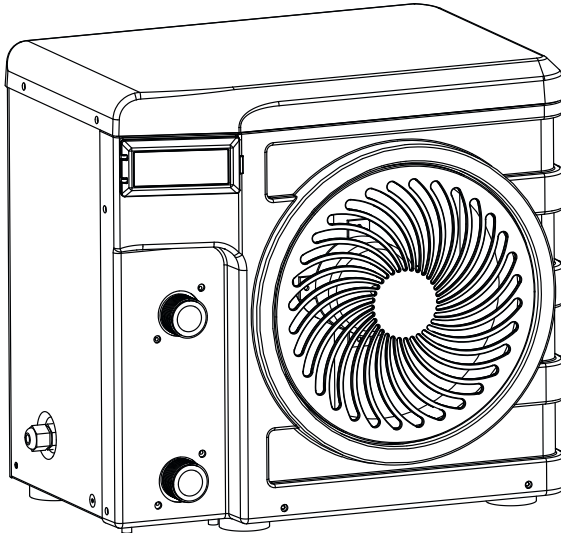
Thank you

Dear Customer,

Thank you for your purchase and for your confidence in our products.

These are the result of many years of research in the field of design and production of heat pumps for swimming pools. Our aim is to provide you with an exceptional high performance quality product.

We have produced this manual with the utmost care so that you get maximum benefit from your Poolex heat pump.





PLEASE READ CAREFULLY

**These installation instructions are an integral part of the product.
They must be given to the installer and retained by the user.**

If the manual is lost, please consult the website:

www.poolex.fr

The instructions and recommendations contained in this manual should be read carefully and understood since they provide valuable information concerning the heat pump's safe handling and operation. **Keep this manual in an accessible place for easy future reference.**

Installation must be carried out by a qualified professional person in accordance with current regulations and the manufacturer's instructions. An installation error may cause physical injury to persons or animals as well as mechanical damage for which the manufacturer can under no circumstances be held responsible.

After unpacking the heat pump, please check the contents in order to report any damage.

Prior to connecting the heat pump, ensure that the information provided in this manual is compatible with the actual installation conditions and does not exceed the maximum limits authorized for this particular product.

In the event of a defect and/or malfunction of the heat pump, the electricity supply must be disconnected and no attempt made to repair the fault.

Repairs must be undertaken only by an authorized technical service organization using original replacement parts. Failure to comply with the above-mentioned clauses may have an adverse effect on the heat pump's safe operation.

To guarantee the heat pump's efficiency and satisfactory operation, it is important to ensure its regular maintenance in accordance with the instructions provided.

If the heat pump is sold or transferred, always make sure that all technical documentation is transmitted with the equipment to the new owner.

This heat pump is designed solely for heating a swimming pool. Any other use must be considered as being inappropriate, incorrect or even hazardous.

Any contractual or non-contractual liability of the manufacturer/distributor shall be deemed null and void for damage caused by installation or operational errors, or due to non-compliance with the instructions provided in this manual or with current installation norms applicable to the equipment covered by this document.

Contents

1. General	4
1.1 General Terms of Delivery	4
1.2 Safety instructions	4
1.3 Water treatment	5
2. Description	6
2.1 Package contents	6
2.2 General characteristics	6
2.3 Technical specifications	7
2.4 Unit dimensions	8
2.5 Exploded view	9
3. Installation	10
3.1 Location	10
3.2 Installation layout	11
3.3 Hydraulic connection	11
3.4 Electrical connection	11
4. Use	12
4.1 Control panel	12
4.2 Heating Mode	13
4.3 Status values and advanced settings	14
5. Operation	16
5.1 Operation	16
6. Maintenance and servicing	17
6.1 Maintenance, servicing and winter storage	17
7. Repairs	18
7.1 Breakdowns and faults	18
8. Recycling	19
8.1 Recycling the heat pump	19
9. Warranty	20
9.1 General warranty conditions	20
A. Appendices	A
A.1 Wiring diagrams	A

1. General

1.1 General Terms of Delivery

All equipment, even if shipped 'free of carriage and packing', is dispatched at the consignee's own risk.

The person responsible for receiving the equipment must carry out a visual inspection to identify any damage to the heat pump during transport (refrigerant system, body panels, electrical control box, frame). He/she must note down on the carrier's delivery note any remarks concerning damage caused during transport and confirm them to the carrier by registered letter within 48 hours.



The equipment must always be stored and transported vertically on a pallet and in its original packaging. If it is stored or transported horizontally, wait at least 24 hours before switching it on.

1.2 Safety instructions



WARNING : Please read carefully the safety instructions before using the equipment. The following instructions are essential for safety so please strictly comply with them.

During installation and servicing

Only a qualified person may undertake installation, start-up, servicing and repairs, in compliance with current standards.

Before operating or undertaking any work on the equipment (installation, commissioning, usage, servicing), the person responsible must be aware of all the instructions in the heat pump's installation manual as well as the technical specifications.

Under no circumstances install the equipment close to a source of heat, combustible materials or a building's air intake.

If installation is not in a location with restricted access, a heat pump protective grille must be fitted.

To avoid severe burns, do not walk on pipework during installation, repairs or maintenance.

To avoid severe burns, prior to any work on the refrigerant system, turn off the heat pump and wait several minutes before placing temperature and pressure sensors.

Check the refrigerant level when servicing the heat pump.

Check that the high and low pressure switches are correctly connected to the refrigerant system and that they turn off the electrical circuit if tripped during the equipment's annual leakage inspection.

Check that there is no trace of corrosion or oil stains around the refrigerant components.

1. General

During use

To avoid serious injuries, never touch the fan when it is operating.

Keep the heat pump out of the reach of children to avoid serious injuries caused by the heat exchanger's blades.

Never start the equipment if there is no water in the pool or if the circulating pump is stopped.

Check the water flow rate every month and clean the filter if necessary.

During cleaning

Switch off the equipment's electricity supply.

Close the water inlet and outlet valves.

Do not insert anything into the air or water intakes or outlets.

Do not rinse the equipment with water.

During repairs

Carry out work on the refrigerant system in accordance with current safety regulations.

Brazing should be performed by a qualified welder.

When replacing a defective refrigerant component, use only parts certified by our technical department.

When replacing pipework, only copper pipes conforming to Standard NF EN12735-1 may be used for repairs.

When pressure-testing to detect leaks:

To avoid the risks of fire or explosion, never use oxygen or dry air.

Use dehydrated nitrogen or a mixture of nitrogen and refrigerant.

The low and high side test pressure must not exceed 42 bar.

1.3 Water treatment

Poolex heat pumps for swimming pools can be used with all types of water treatment systems. Nevertheless, it is essential that the treatment system (chlorine, pH, bromine and/or salt chlorinator metering pumps) is installed after the heat pump in the hydraulic circuit.

To avoid any deterioration to the heat pump, the water's pH must be maintained between 6.9 and 8.0.

2. Description

2.1 Package contents

- ✓ Heat pump Poolex Nano Action
- ✓ 2 hydraulic inlet/outlet connectors 32/38mm diameter
- ✓ This installation and user manual
- ✓ **4 anti-vibration pads**

2.2 General characteristics

A Poolex heat pump has the following features:

- ▶ CE certification and complies with the RoHS European directive.
- ▶ High performance with up to 80% energy savings compared to a conventional heating system.
- ▶ Clean, efficient and environmentally friendly R410A refrigerant.
- ▶ Reliable high output leading brand compressor.
- ▶ Wide hydrophilic aluminum evaporator for use at low temperatures.
- ▶ User-friendly intuitive control panel.
- ▶ Heavy duty shell, anti-UV treated and easy to maintain.
- ▶ Designed to be silent.

2. Description

2.3 Technical specifications

		Nano Action
Air ⁽¹⁾ 26°C Water ⁽²⁾ 26°C	Heating power (W)	2750
	Consumption (W)	580
	COP (Coeff. of performance)	4,75
Air ⁽¹⁾ 15°C Water ⁽²⁾ 26°C	Heating power (W)	2150
	Consumption (W)	540
	COP (Coeff. of performance)	4
Electricity supply		220-240V single-phase ~ 50Hz
Maximum power (W)		810
Maximum current (A)		3.62
Heating temperature range		15°C~40°C
Operating range		7°C~43°C
Unit dimensions L × W × H (mm)		404 x 282 x 385
Unit weight (kg)		17
Packaging dimensions L × W × H (mm)		460 x 370 x 415
Packaging weight (kg)		19
Sound pressure level at 10 m (dBA) ⁽³⁾		<32
Hydraulic connection (mm)		PVC 32 / 38mm
Heat exchanger		PVC tank and titanium heating coil
Min. water flow rate (m ³ /h)		1,3
Compressor		GMCC
Compressor type		Rotary
Refrigerant		R410A
Refrigerant content (kg)		0,3
GWP		2088
Equivalent CO2		0,63
Waterproof IP		IPX4
Load loss (mCE)		0,8
Max. pool volume (m ³) ⁽⁴⁾		≤20
Control panel		Backlight LCD screen
Mode		Heating

The technical specifications of our heat pumps are provided for information purposes only. We reserve the right to make changes without prior notice.

¹ Ambient air temperature

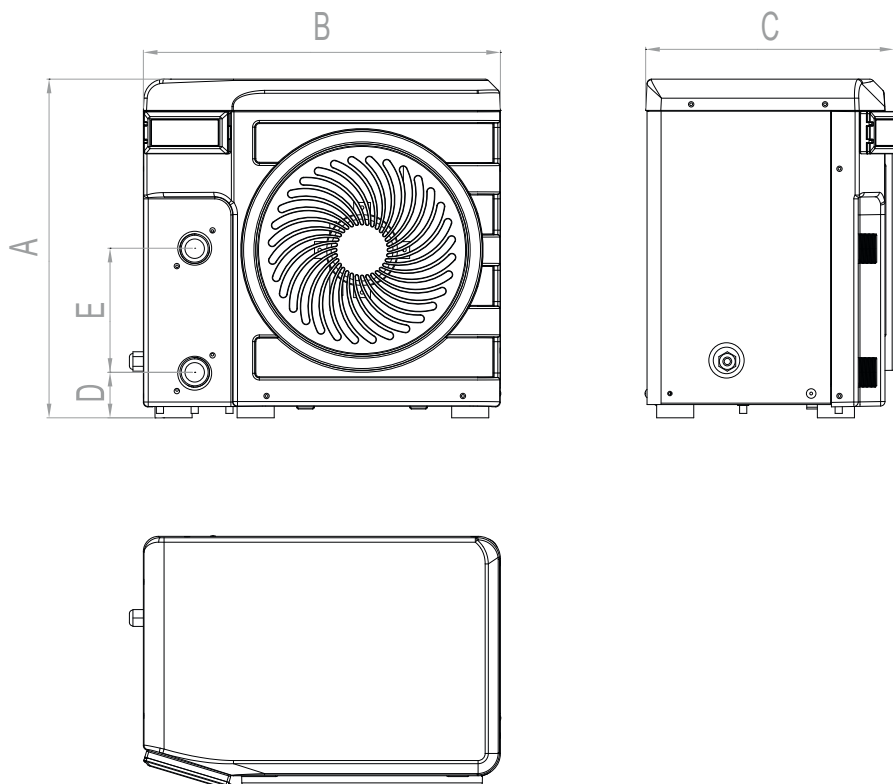
² Initial water temperature

³ Noise at 10 m in accordance with Directives EN ISO 3741 and EN ISO 354

⁴ Calculated for an in-ground private swimming pool covered with a bubble cover.

2. Description

2.4 Unit dimensions



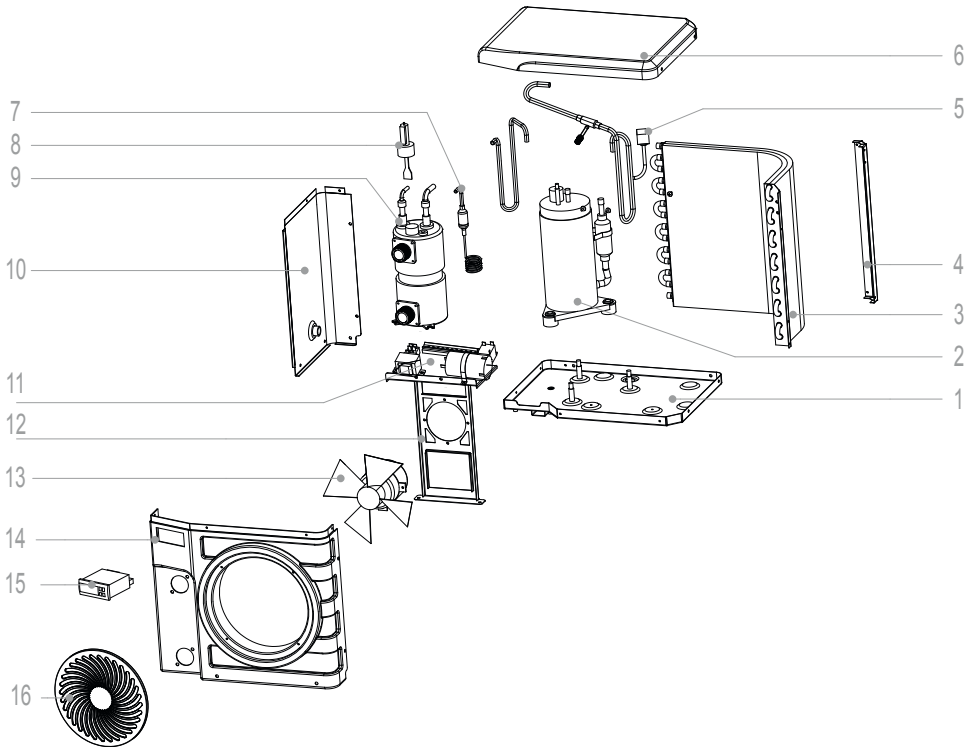
Dimensions in mm

	Nano Action
A	385
B	404
C	282
D	51,5
E	140

2. Description

2.5 Exploded view

ZE



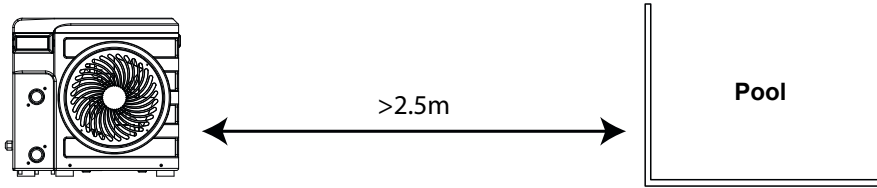
- 1. Base plate
- 2. Compressor
- 3. Evaporator
- 4. Angular support
- 5. Low pressure switch
- 6. Top panel
- 7. Throttling parts
- 8. Flow switch
- 9. Heat exchanger
- 10. Left side panel
- 11. Electrical control box
- 12. Fan support
- 13. Fan and motor
- 14. Front panel
- 15. Control panel
- 16. Fan protective grill

3. Installation

The heat pump is very easy to install, only water and power need to be connected during installation.

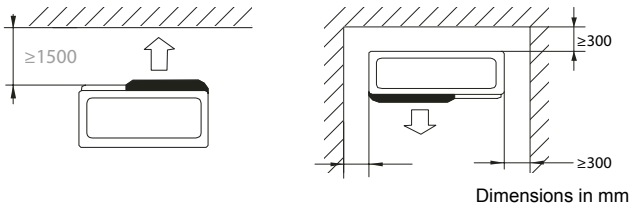
3.1 Location

The heat pump should be located at least 2.5 meter away from the swimming pool.



Please comply with the following rules concerning the choice of heat pump location.

1. The unit's future location must be easily accessible for convenient operation and maintenance.
2. It must be installed on the ground, laid ideally on a level concrete floor. Ensure that the floor is sufficiently stable and can support the weight of the unit.
3. Check that the unit is properly ventilated, that the air outlet is not facing the windows of neighboring buildings and that the exhaust air cannot return. In addition, provide sufficient space around the unit for servicing and maintenance operations.
4. The unit must not be installed in an area exposed to oil, flammable gases, corrosive products, sulfurous compounds or close to high frequency equipment.
5. To prevent mud splashes, do not install the unit near a road or track.
6. To avoid causing nuisance to neighbors, make sure the unit is installed so that it is positioned towards the area that is least sensitive to noise.
7. Keep the unit as much as possible out of the reach of children.



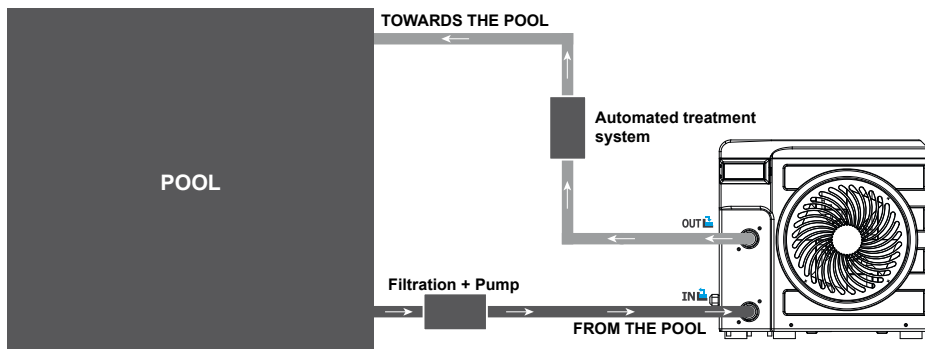
Place nothing less than 1,50 m in front of the heat pump.

Leave 30 cm of empty space around the sides and rear of the heat pump.

Do not leave any obstacle above or in front of the unit!

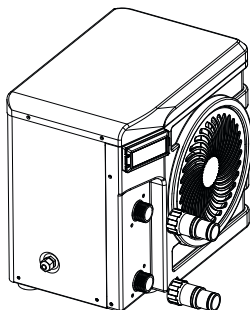
3. Installation

3.2 Installation layout



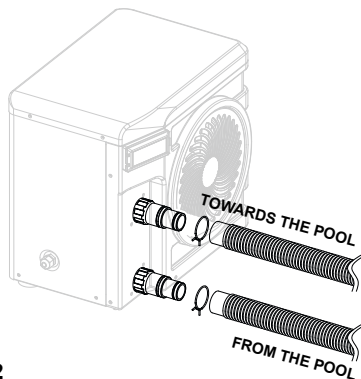
The filter located upstream of the heat pump must be regularly cleared so that the water in the system is clean, thus avoiding the operational problems associated with dirt or clogging in the filter.

3.3 Hydraulic connection



Step 1

Screw the connectors to the heat pump

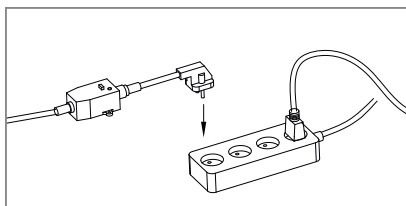


Step 2

Connect the water outlet pipe and the water intake pipe

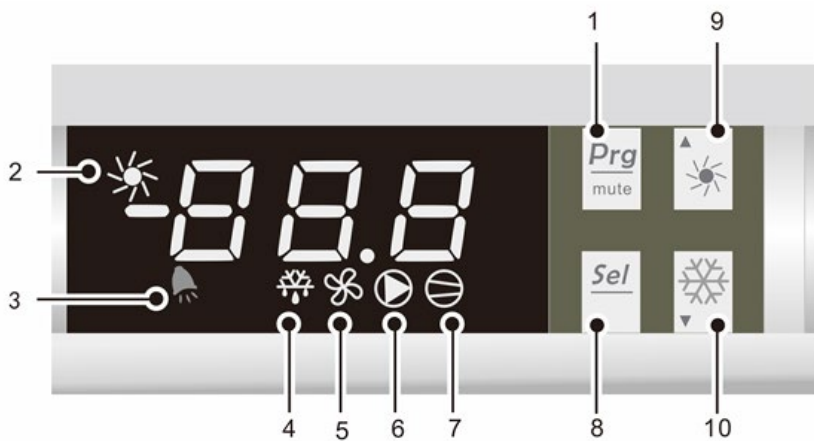
3.4 Electrical connection

The heat pump electrical plug integrates a 10mA differential circuit breaker. Before connecting your heat pump, please ensure that the plug is connected to the ground. The filter pump should function at the same time as the heat pump. Therefore, you need to connect them to the same electrical circuit.



4. Use

4.1 Control panel



1. ON/OFF

2. Heating

3. Malfunction

4. Defrost

5. Fan

6. Water pump

7. Compressor

8. Setting


9. +

10. -

4. Use

4.2 Heating Mode

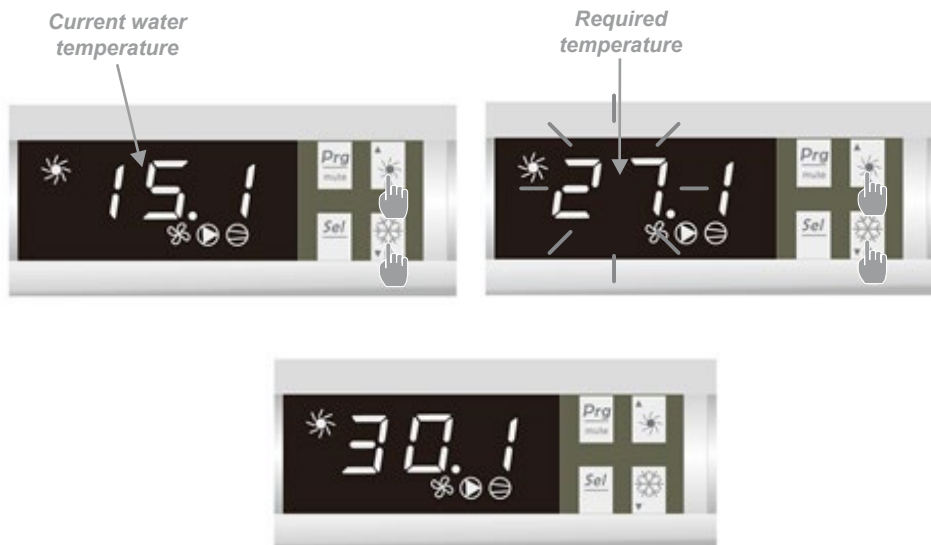
WARNING: Before starting, ensure that the filtration pump is operating correctly.

Step 1 : Press  to switch on your pump.

Step 2 : Using buttons  and  select the required temperature.

EXAMPLE:

If the current temperature is 15°C, default setting temperature is 27° required temperature is 30°C.



Useful information about how the heating mode operates

When the incoming water temperature is less than or equal to the required temperature (setpoint temperature) -X°C, the heat pump will switch to heating mode. The compressor will stop when the temperature of the incoming water is greater than or equal to the required temperature (setpoint temperature).

Indicators for adjustment range X and Y

X : adjustable parameter from 1° to 15°C, default setting is 3°C. (Parameter N°6)

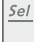
4. Use

4.3 Status values and advanced settings

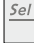


WARNING: This operation is used to assist servicing and future repairs.
The default settings should only be modified by an experienced professional person.

The system's settings can be checked and adjusted via the remote control by following these steps

Step 1 : Keep pressing  until you enter the settings verification mode.


Step 2 : Press  and  for see the parameters.

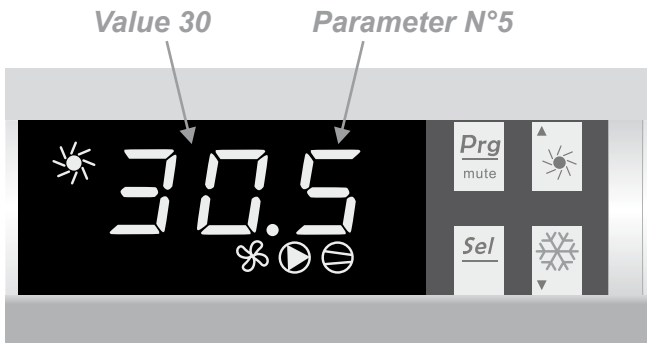
Step 3 : Press  to select the setting to be modified.

Note, some settings cannot be modified. Consult the settings table for further information.

Step 4 : Press  and  to adjust the setting value.

Step 5 : Press  to set the new value.

Step 6 : Press  to return to the main screen.



4. Use

Parameters table

N°	Description	Adjustment range	Factory setting	Remarks
0	Reserved - Do not adjust	8~37°C	12°C	Reserved
1	Default temperature	15~40°C	27°C	Adjustable
2	Defrost auto-activation time	10~90 min	40 min	Adjustable
3	Defrost activation temperature	-30~0°C	0°C	Adjustable
4	Defrost deactivation temperature	1~30°C	2°C	Adjustable
5	Maximum defrost duration	10~40 min	30 min	Adjustable
6	Adjustment of temperature difference for restart	2~10°C	3°C	Adjustable
7	Automatic restart	0 = OFF 1 = ON	1	Adjustable
8	Reserved - Do not adjust	0 / 1 / 2	0	Reserved
9	Reserved - Do not adjust	0 / 1	0	Reserved
A	Reserved - Do not adjust	8~60°C	30°C	Reserved
B	Antifreeze protection - low air temperature	0~15°C	8°C	Ajustable
C	Antifreeze protection - low water temperature	2~14°C	4°C	Ajustable
D	Reserved - Do not adjust	-	-	Reserved
E	Reserved - Do not adjust	0 / 1	0	Reserved
F	Reserved - Do not adjust	3~20°C	5°C	Reserved
H	Reserved - Do not adjust	5~20°C	13°C	Reserved
J	Reserved - Do not adjust	65~90°C	70°C	Reserved
o	Water intake temperature	-9~99°C		Actual data
P	Water outlet temperature	-9~99°C		Actual data
t	Coil temperature	-9~99°C		Actual data
U	Ambient air temperature	-9~99°C		Actual data

5. Operation

5.1 Operation

Conditions of use


For the heat pump to operate normally, the ambient air temperature must be between 7°C and 43°C.

Recommendations prior to start-up

Before activating the heat pump, please:

- ✓ Check that the unit is stable.
- ✓ Control the proper functioning of your electrical installation.
- ✓ Check that the hydraulic connections are tight and that there is no leakage of water.
- ✓ Remove any unnecessary object or tool from around the unit.

Operation

1. Connect the unit power plug.
2. Activate the circulating pump.
3. Activate the unit's power supply protection (differential switch and circuit-breaker).
4. Activate the heat pump by pressing once on .
5. Select the required temperature.
6. The heat pump's compressor will start up after a few moments.

All you have to do now is wait until the required temperature is reached.



WARNING: Under normal conditions, a suitable heat pump can heat the water in a swimming pool by 1°C to 2°C per day. It is therefore quite normal to not feel any temperature difference in the system when the heat pump is working. A heated pool must be covered to avoid any loss of heat.

6. Maintenance and servicing

6.1 Maintenance, servicing and winter storage



WARNING: Before undertaking maintenance work on the unit, ensure that you have disconnected the electrical power supply.

Cleaning

The heat pump's casing must be cleaned with a damp cloth. The use of detergents or other household products could damage the surface of the casing and affect its properties.

The evaporator at the rear of the heat pump must be carefully cleaned with a vacuum cleaner and soft brush attachment.

Annual maintenance

The following operations must be undertaken by a qualified person at least once a year.

- ✓ Carry out safety checks.
- ✓ Check the integrity of the electrical wiring.
- ✓ Check the earthing connections.
- ✓ Monitor the state of the pressure gauge and the presence of refrigerant.

Winter storage

Your heat pump is designed to operate in rainy weather conditions and withstand frost using a specially created anti-frost technology. However it is not recommended to leave it outside for long periods of time (eg over winter). After draining down the pool for the winter, store the heat pump in a dry place.

7. Repairs



WARNING: Under normal conditions, a suitable heat pump can heat the water in a swimming pool by 1°C to 2°C per day. It is therefore quite normal to not feel any temperature difference in the system when the heat pump is working. A heated pool must be covered to avoid any loss of heat.

7.1 Breakdowns and faults

In the event of a problem, the heat pump's screen displays a fault symbol instead of temperature indications. Please consult the table below to find the possible causes of a fault and the actions to be taken.

Code	Fault	Possible causes	Action
P1	Water intake temperature sensor malfunction	Sensor badly connected	Reconnect sensor
		Sensor defective	Replace sensor
		Defective control panel	Replace control panel
P2	Water outlet temperature sensor malfunction	Same causes as P1	Same actions as P1
P3	Evaporator temperature sensor malfunction		
P5	External temperature sensor malfunction		
P7	Antifreeze protection	Protection activated when the ambient temperature is too low.	No intervention is necessary
E6	Low pressure protection	Insufficient refrigerant	Readjust the quantity of refrigerant
		Pressure switch disconnected or defective	Reconnect or replace pressure switch
		Defective control panel	Replace control panel
E3	Flow sensor malfunction	Insufficient water in heat exchanger	Check your water circuit operation
		Defective water flow sensor	Replace water flow switch
		Defective control panel	Replace control panel

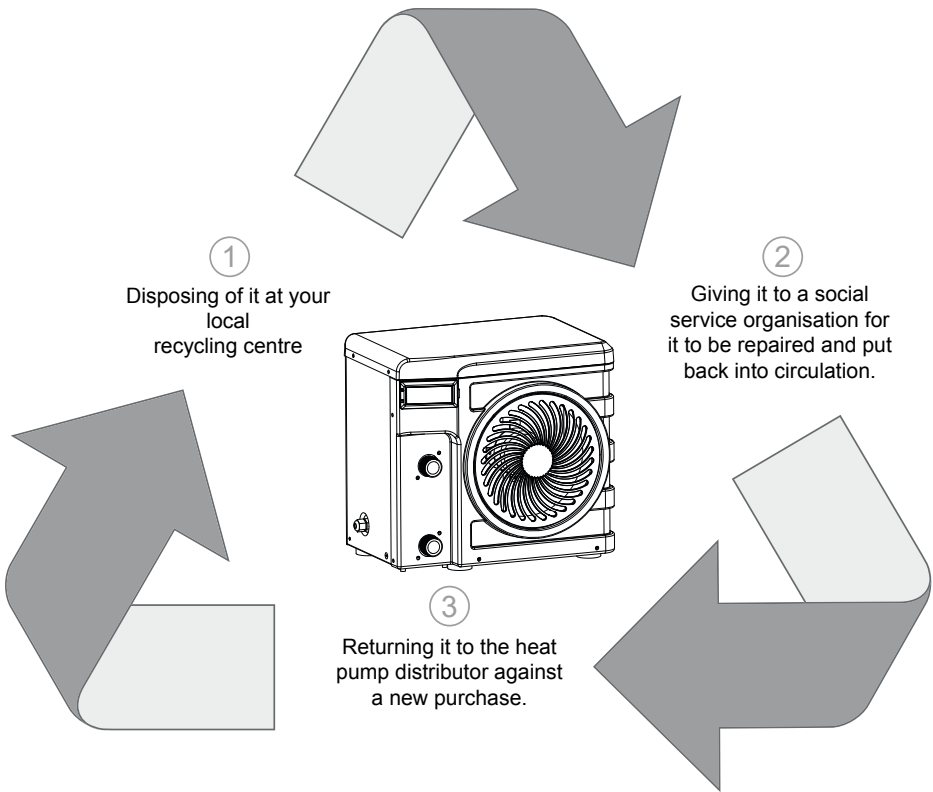
8. Recycling

8.1 Recycling the heat pump

Your heat pump has reached the end of its life and you wish to dispose of it or to replace it. Do not throw it in the rubbish bin.

A heat pump must be disposed of separately with a view to its reuse, recycling or upgrading. It contains substances that are potentially hazardous to the environment but which will be eliminated or neutralized by recycling.

YOU HAVE THREE SOLUTIONS:



9. Warranty

9.1 General warranty conditions

The Poolstar Company guarantees the original owner against defective materials and faults in the manufacture of the Poolex Nano Action heat pump for a period of two (2) years.

The compressor is guaranteed for a period of five (5) years.

The titanium tube heat exchanger has a period of fifteen (15) years guarantee against chemical corrosion, except for frost damage.

The condenser's other components are guaranteed for two (2) years.

The warranty becomes effective on the date of the first invoice.

The warranty does not apply in the following cases:

- Malfunction or damage arising from an installation, usage or repair that is not in compliance with the safety instructions.
- Malfunction or damage arising from a chemical agent that is unsuitable for the pool.
- Malfunction or damage arising from conditions that are unsuitable for the equipment's purposes of use.
- Damage arising from negligence, accident or force majeure.
- Malfunction or damage arising from the use of unauthorized accessories.

Repairs undertaken during the warranty period must be approved prior to being carried out by an authorized technician. The warranty shall be null and void if the repair to the equipment is carried out by a person who is not authorized by the Poolstar company.

The guaranteed parts shall be replaced or repaired at Poolstar's discretion. Defective parts must be returned to our workshops to be covered during the warranty period. The warranty does not cover labor costs or unauthorized replacements. The return of the defective part is not covered by the warranty.

Dear Sir/Madam,

Please spend a few minutes filling in the warranty registration card that you will find on our website:

<http://support.poolex.fr/>

We thank you for your trust in our products.

Enjoy your swimming!

Your details may be treated in accordance with the Data Protection Act of 6 January 1978 and will not be divulged to any third party.

WARNING:

The contractual warranty cannot be validated with the installer or Poolstar unless your product has been registered on our website.

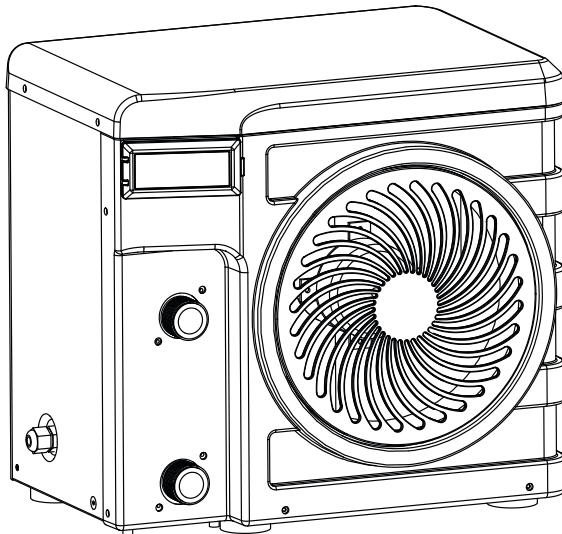
Danksagung

Sehr geehrter Kunde,

Vielen Dank für Ihren Kauf und das damit verbundene Vertrauen in unsere Produkte.

Unsere Produkte sind das Ergebnis einer jahrelangen Forschungsarbeit auf dem Gebiet der Konstruktion und Fertigung von Schwimmbecken-Wärmepumpen. Wir haben den Anspruch, Ihnen ein qualitativ hochwertiges Produkt mit hervorragenden Leistungseigenschaften zu liefern.

Die vorliegende Anleitung wurde mit größter Sorgfalt erstellt und soll Ihnen dabei helfen, die Vorzüge Ihrer Poolex-Wärmepumpe bestmöglich zu nutzen.





BITTE AUFMERKSAM LESEN

Die vorliegenden Installationsanweisungen sind ein integraler Bestandteil des Produkts. Sie müssen dem Installateur ausgehändigt und vom Nutzer aufbewahrt werden.

Falls Sie die Anleitung verlieren sollten, verweisen wir auf die Website:

www.poollex.de

Alle in der vorliegenden Anleitung enthaltenen Anweisungen und Empfehlungen müssen sorgfältig gelesen und zur Kenntnis genommen werden, da sie wichtige Informationen zur sicheren Handhabung und Bedienung der Wärmepumpe beinhalten. **Bewahren Sie diese Anleitung an einem leicht zugänglichen Ort auf, damit Sie auch in Zukunft problemlos darauf zurückgreifen können.**

Die Installation muss von qualifiziertem Fachpersonal unter Einhaltung der geltenden Vorschriften und der Anweisungen des Herstellers durchgeführt werden. Eine unsachgemäße Installation kann Verletzungen von Personen oder Tieren sowie mechanische Schäden nach sich ziehen, für die der Hersteller in keiner Weise haftbar gemacht werden kann.

Nach dem Auspacken der Wärmepumpe überprüfen Sie bitte den Inhalt auf etwaige Schäden. Überzeugen Sie sich außerdem davon, dass der auf dem Manometer angezeigte Druck über 80 PSI liegt. Ist dies nicht der Fall, könnte ein Kältemittelleck vorliegen.

Stellen Sie vor dem Anschließen der Wärmepumpe sicher, dass die Installationsbedingungen vor Ort mit den in der vorliegenden Anleitung enthaltenen Vorgaben übereinstimmen und die maximal zugelassenen Grenzwerte für das betreffende Gerät nicht überschreiten.

Bei Ausfall und/oder Fehlfunktion muss die Wärmepumpe von der Stromversorgung getrennt werden. Es darf auf keinen Fall versucht werden, den Fehler zu beheben. Reparaturarbeiten dürfen nur von einem zugelassenen technischen Wartungsdienst unter Verwendung von Originalersatzteilen durchgeführt werden. Die Nichteinhaltung der vorgenannten Bestimmungen kann den sicheren Betrieb der Wärmepumpe beeinträchtigen.

Zur Gewährleistung einer effizienten und ordnungsgemäßen Funktion der Wärmepumpe ist es von wesentlicher Bedeutung, dass sie regelmäßig unter Beachtung der hier enthaltenen Anweisungen gewartet wird.

Wird die Wärmepumpe verkauft oder an einen anderen Benutzer übergeben, ist stets darauf zu achten, dass dem künftigen Benutzer neben dem Gerät auch alle technischen Unterlagen ausgehändigt werden.

Die Wärmepumpe darf nur für die Beheizung von Schwimmbecken verwendet werden. Jeder sonstige Verwendungszweck gilt als ungeeignet, unsachgemäß und sogar gefährlich.

Sämtliche vertraglichen und außervertraglichen Pflichten des Herstellers/Händlers gelten nicht für Schäden, die durch Installations- oder Bedienfehler oder durch eine Nichtbeachtung der hier enthaltenen Anleitungen oder der geltenden Installationsvorschriften für das in dieser Anleitung beschriebene Gerät verursacht werden.

1. Allgemeines	4
1.1 Allgemeine Lieferbedingungen	4
1.2 Sicherheitshinweise	4
1.3 Wasseraufbereitung	5
2. Beschreibung	6
2.1 Lieferumfang	6
2.2 Allgemeine Merkmale	6
2.3 Technische Daten	7
2.4 Abmessungen	8
2.5 Explosionsdarstellung	9
3. Installation	10
3.1 Aufstellort	10
3.2 Installationsschema	11
3.3 Hydraulikanschluss	11
3.4 Elektroanschluss	11
4. Verwendung	12
4.1 Bedienfeld	12
4.2 Heizbetrieb	13
4.3 Statuswerte und erweiterte Einstellungen	14
5. Betrieb	16
5.1 Betrieb	16
6. Wartung und Pflege	17
6.1 Wartung, Pflege und Einwinterung	17
7. Reparaturen	18
7.1 Betriebsstörungen und Fehler	18
8. Recycling	19
8.1 Recyceln der Wärmepumpe	19
9. Garantie	20
9.1 Allgemeine Garantiebedingungen	20
A. Anhänge	A
A.1 Schaltpläne	A

1. Allgemeines

1.1 Allgemeine Lieferbedingungen

Der Versand der Ware erfolgt frachtfrei und einschließlich Verpackung auf Risiko und Gefahr des Empfängers.

Der Empfänger muss eine Sichtprüfung durchführen, um eventuell an der Wärmepumpe entstandene Transportschäden (Kühlsystem, Abdeckplatten, Schaltkasten, Montagerahmen) zu identifizieren. Etwaige Transportschäden sind auf dem Lieferschein des Spediteurs schriftlich zu vermerken. Eine entsprechende Bestätigung muss innerhalb von 48 Stunden per Einschreiben an den Spediteur gesendet werden.



Das Gerät muss stets in senkrechter Position auf einer Palette sowie in der Originalverpackung gelagert und transportiert werden. Wird das Gerät in waagerechter Position abgestellt oder transportiert, warten Sie bitte mindestens 24 Stunden, bevor Sie es einschalten.

1.2 Sicherheitshinweise



WICHTIGER HINWEIS: Bitte lesen Sie die Sicherheitshinweise aufmerksam durch, bevor Sie das Gerät verwenden. Die nachstehenden Anweisungen sind sicherheitsrelevant und müssen zwingend beachtet werden.

Installation und Wartung

Installation, Inbetriebnahme, Wartung und Reparaturen dürfen nur von einer entsprechend qualifizierten Fachkraft unter Einhaltung der geltenden Normen durchgeführt werden.

Vor der Bedienung oder Durchführung von Arbeiten (Installation, Inbetriebnahme, Verwendung, Wartung) muss sich die verantwortliche Person mit allen im Installationshandbuch der Wärmepumpe enthaltenen Anweisungen sowie mit den technischen Daten vertraut machen.

Das Gerät darf keinesfalls in der Nähe von Wärmequellen, brennbaren Stoffen oder dem Frischlufteintritt eines Gebäudes aufgestellt werden.

Sofern das Gerät nicht in einem Bereich mit beschränktem Zutritt aufgestellt wird, muss ein Schutzgitter um die Wärmepumpe angebracht werden.

Während Installation, Wartung oder Reparaturen nicht auf die Rohrleitungen treten, da es andernfalls zu schweren Verbrennungen kommen kann.

Um schwere Verbrennungen zu vermeiden, muss die Wärmepumpe vor der Durchführung von Arbeiten am Kühlsystem ausgeschaltet und mehrere Minuten gewartet werden, bevor die Temperatur- und Drucksensoren angebracht werden.

Im Zuge der Wartung der Wärmepumpe ist der Kältemittel-Füllstand zu überprüfen.

Es muss überprüft werden, ob die Druckschalter für geringen und hohen Druck korrekt an das Kühlsystem angeschlossen sind und den Schaltkreis unterbrechen, wenn sie während der jährlichen Leckageinspektion des Geräts ausgelöst werden.

Die Kühlsystemkomponenten sind auf Anzeichen von Korrosion und Ölflecken zu prüfen.

1. Allgemeines

Verwendung

Während der Ventilator in Betrieb ist, darf er keinesfalls berührt werden, da es andernfalls zu schwere Verletzungen kommen kann.

Sorgen Sie dafür, dass die Wärmepumpe für Kinder unzugänglich ist, um schwere Verletzungen durch die Rotoren des Wärmetauschers zu vermeiden.

Starten Sie das Gerät niemals, wenn sich kein Wasser im Schwimmbecken befindet oder wenn die Umwälzpumpe nicht läuft.

Überprüfen Sie monatlich die Wasserdurchflussmenge, und reinigen Sie ggf. den Filter.

Reinigung

Schalten Sie die Stromversorgung des Geräts aus.

Schließen Sie die Ventile für den Wassereinlass und -auslass.

Führen Sie keine Gegenstände in den Einlass und Auslass für Luft und Wasser ein.

Das Gerät darf nicht mit Wasser abgespült werden.

Reparatur

Arbeiten am Kühlsystem müssen unter Einhaltung der geltenden Sicherheitsbestimmungen durchgeführt werden.

Hardtlötarbeiten müssen von einem ausgebildeten Schweißer durchgeführt werden.

Defekte Kühlsystemkomponenten dürfen nur gegen Ersatzteile ausgetauscht werden, die von unserer technischen Abteilung zertifiziert wurden.

Die Rohrleitungen dürfen nur gegen Kupferrohre gemäß der Norm NF EN12735-1 ausgetauscht werden.

Drucktests zur Leckageerkennung:

Um Brand- und Explosionsgefahr zu vermeiden, darf niemals Sauerstoff oder Trockenluft verwendet werden.

Stattdessen sind trockener Stickstoff oder eine Mischung aus Stickstoff und Kältemittel einzusetzen.

Der Prüfdruck auf Nieder- und Hochdruckseite sollte nicht mehr als 42 bar betragen.

1.3 Wasseraufbereitung

Poolex-Wärmepumpen für Schwimmbecken sind mit allen Arten von Wasseraufbereitungssystemen kompatibel.

Es muss jedoch sichergestellt werden, dass die Wasseraufbereitungsanlage (Dosierpumpe für Chlor, pH, Brom und/oder Salzwasser-Chlorinator) innerhalb des Hydraulikkreises nach dem Heizsystem installiert wird.

Um die Abnutzung Ihrer Wärmepumpe zu minimieren, sollte der pH-Wert des Wassers zwischen 6,9 und 8,0 liegen.

2. Beschreibung

2.1 Lieferumfang

- ✓ Wärmepumpe Poolex Nano Action
- ✓ Hydraulische Anschlüsse für Wasserzu- und -ablauf Durchmesser 32 / 38mm
- ✓ Installations- und Gebrauchsanleitung
- ✓ **4 Vibrationsdämpfer**

2.2 Allgemeine Merkmale

Merkmale der Poolex-Wärmepumpe:

- ◆ Zertifizierung gemäß CE- und RoHS-Richtlinie.
- ◆ Hohe Energieeffizienz mit bis zu 80 % weniger Verbrauch im Vergleich zu einem konventionellen Beheizungssystem.
- ◆ Ökologisches, umweltfreundliches Kältemittel R410A mit hoher Kälteleistung.
- ◆ Zuverlässiger und leistungsstarker branchenführender Kompressor.
- ◆ Verdampfer mit großer Wärmeaustauschfläche aus hydrophil beschichtetem Aluminium, der den Betrieb bei niedrigen Temperaturen ermöglicht.
- ◆ Benutzerfreundliche, intuitive Bedienfeld.
- ◆ Gehäuse aus höchst widerstandsfähigem Material mit UV-beständiger und wartungsfreundlicher Oberfläche.
- ◆ Geräuscharm

2. Beschreibung

2.3 Technische Daten

		Nano Action
Luft ⁽¹⁾ 26°C Wasser ⁽²⁾ 26°C	Heizleistung (W)	2750
	Leistungsaufnahme (W)	580
	COP (Leistungszahl)	4,75
Luft ⁽¹⁾ 15°C Wasser ⁽²⁾ 26°C	Heizleistung (W)	2150
	Leistungsaufnahme (W)	540
	COP (Leistungszahl)	4
Stromversorgung		220-240V einphasig ~ 50Hz
Max. Leistung (W)		810
Maximalstrom (A)		3,62
Heiztemperaturbereich		15°C~40°C
Betriebsbereich		7°C~43°C
Abmessungen L×B×H (mm)		404 x 282 x 385
Gewicht (kg)		17
Verpackungsmaße L×B×H (mm)		460 x 370 x 415
Verpackungsgewicht (kg)		19
Schalldruckpegel 10m (dBA) ⁽³⁾		<32
Hydraulikanschluss (mm)		PVC 32 / 38mm
Wärmetauscher		PVC-Tank und Titan-Heizwendel
Min. Wasserdurchflussmenge (m³/h)		1,3
Kompressor-Hersteller		GMCC
Kompressortyp		Rotierend
Kältemittel		R410A
Kältemittel-Fassungsvermögen (kg)		0,3
GWP		2088
CO2 equivalent		0,63
IP-Bewertung der Wasserbeständigkeit		IPX4
Kurzschlussverlust (mCE)		0,8
Max. Beckenvolumen (m³) ⁽⁴⁾		≤20
Steuerkasten		LCD-Monitor mit Hintergrundbeleuchtung
Modus		Heizung

Die technischen Daten unserer Wärmepumpen sind nur zu Informationszwecken gedacht. Wir behalten uns das Recht vor, daran ohne Vorankündigung Änderungen vorzunehmen.

¹ Umgebungstemperatur der Luft

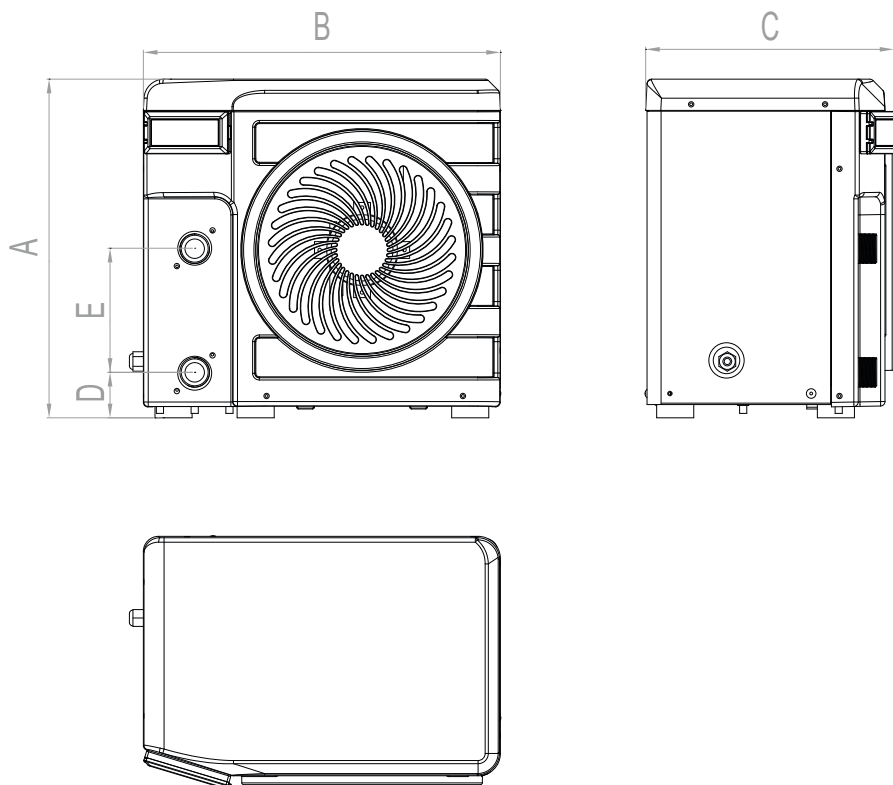
² Anfängliche Wassertemperatur

³ Lärmbelastung bei 10 m Entfernung gemäß Richtlinien EN ISO 3741 und EN ISO 354

⁴ Berechnet für einen in den Boden eingelassenen, mit Luftpolsterfolie abgedeckten Privatpool.

2. Beschreibung

2.4 Abmessungen

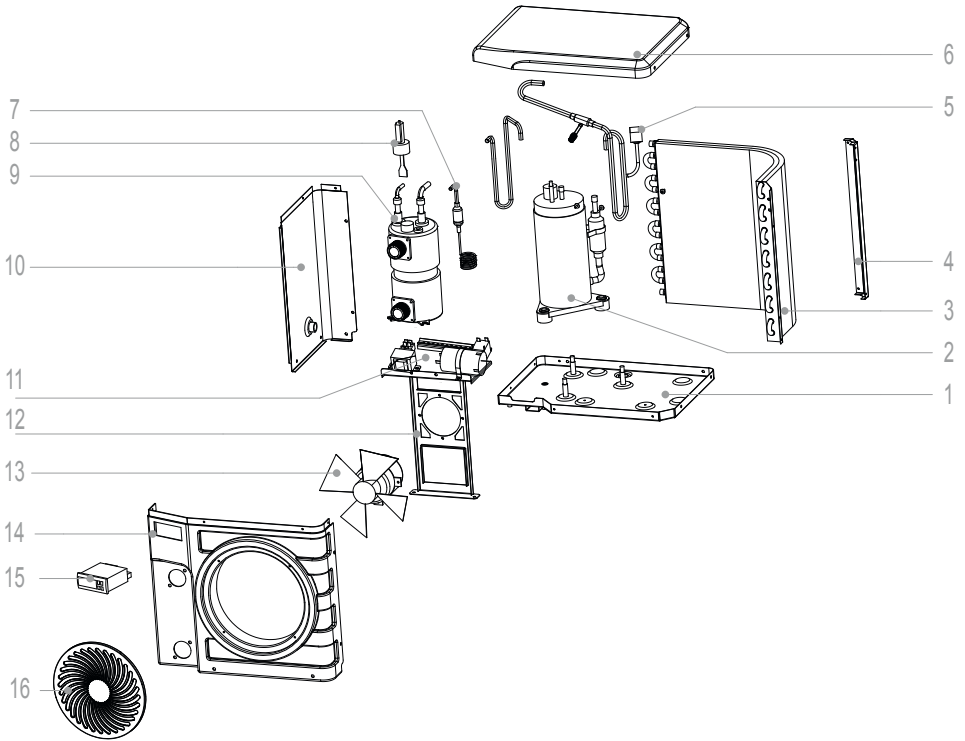


Abmessungen in mm

	Nano Action
A	385
B	404
C	282
D	51,5
E	140

2. Beschreibung

2.5 Explosionsdarstellung



DE

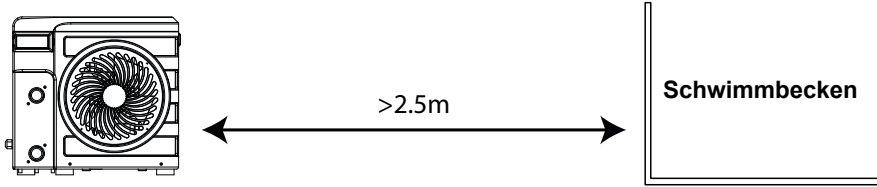
- 1. Basis
- 2. Kompressor
- 3. Verdampfer
- 4. Winkelstütze
- 5. Niederdruckschalter
- 6. Deckplatte
- 7. Strömungsschalter
- 8. Durchflusssensor
- 9. Wärmetauscher
- 10. Abdeckplatte links
- 11. Elektroschaltkasten
- 12. Belüftung Unterstützung
- 13. Ventilator und Motor
- 14. Frontplatte
- 15. Bedienfeld
- 16. Schutzgitter

3. Installation

Die Wärmepumpe ist sehr einfach zu installieren, nur Wasser und Strom müssen während der Installation angeschlossen werden.

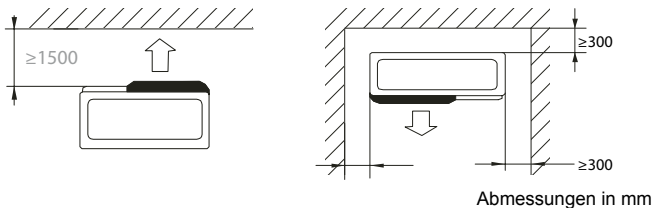
3.1 Aufstellort

Die Wärmepumpe sollte mindestens 2,5 Meter vom Schwimmbecken entfernt sein.



Halten Sie bei der Wahl des Aufstellorts Ihrer Wärmepumpe bitte die folgenden Richtlinien ein.

1. Das Gerät muss an seinem Aufstellort leicht zugänglich sein, damit es bequem bedient und gewartet werden kann.
2. Es muss auf dem Erdboden installiert und nach Möglichkeit auf einem ebenen Betonboden laid werden. Stellen Sie sicher, dass der Boden ausreichend stabil ist und das Gewicht des Geräts tragen kann.
3. Achten Sie darauf, dass das Gerät ausreichend belüftet wird, dass die Luftausblasöffnung nicht zur Fensterseite benachbarter Gebäude hin ausgerichtet ist und dass kein Zurückströmen der Abluft möglich ist. Darüber hinaus ist rund um das Gerät ein ausreichender Abstand für Reinigungs- und Wartungsarbeiten vorzusehen.
4. Das Gerät darf nicht in der Nähe von Hochfrequenzgeräten installiert werden oder in Bereichen, in denen Öle, entzündliche Gase, Korrosion verursachende Produkte oder schwefelhaltige Substanzen vorliegen.
5. Installieren Sie die Wärmepumpe nicht in der Nähe von Straßen oder Wegen, um eine Verunreinigung des Geräts durch Schlammgespritzer zu vermeiden.
6. Um die Lärmbelästigung möglichst gering zu halten, sollten Sie die Wärmepumpe so installieren, dass sie nicht in Richtung lärmsensibler Bereiche ausgerichtet ist.
7. Stellen Sie das Gerät nach Möglichkeit außerhalb der Reichweite von Kindern auf.



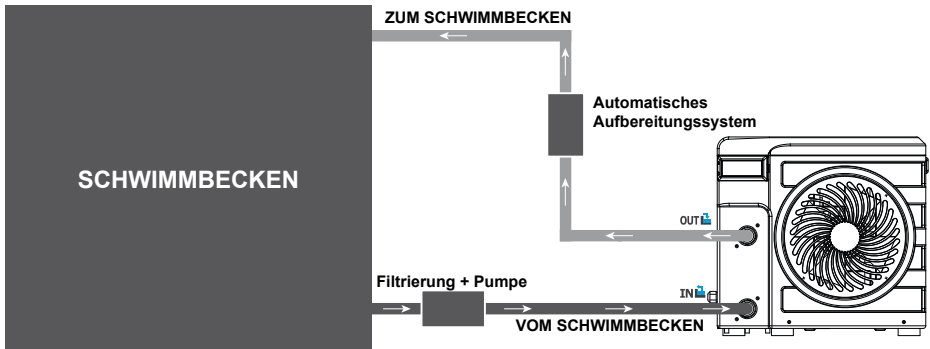
Platzieren Sie keine Gegenstände in weniger als 1,50 m Entfernung vor der Wärmepumpe.

Lassen Sie seitlich und hinter der Wärmepumpe einen Sicherheitsabstand von 30 cm.

Platzieren Sie keine Gegenstände unmittelbar über oder vor dem Gerät!

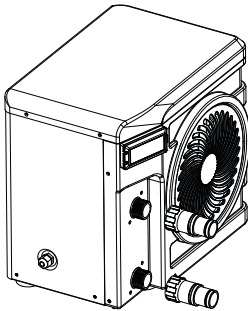
3. Installation

3.2 Installationsschema



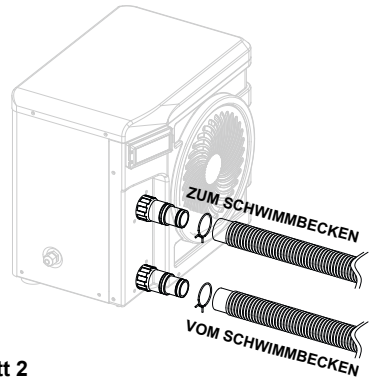
Der der Wärmepumpe vorgeschaltete Filter muss regelmäßig gereinigt werden, damit das zirkulierende Wasser sauber ist und etwaige Funktionsprobleme aufgrund einer Verschmutzung oder Verstopfung des Filters vermieden werden.

3.3 Hydraulikanschluss



Schritt 1

Schrauben Sie die Anschlüsse an der Wärmepumpe fest



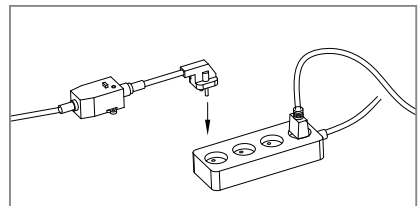
Schritt 2

Schließen Sie das Wasserauslassrohr und das Wasseransaugrohr an

3.4 Elektroinstallation

In der Steckdose der Wärmepumpe ist ein 10mA Differentialschutzschalter eingebaut. Stellen Sie vor dem Anschließen der Wärmepumpe sicher, dass die Steckdose ordnungsgemäß geerdet ist.

Die Filterpumpe muss gleichzeitig mit der Wärmepumpe arbeiten. Verbinden Sie sie daher mit dem selben Stromkreis.



4. Verwendung

4.1 Bedienfeld



- | | | | | |
|----------------|---------------|---------------------|----------------|---------------|
| 1. ON/OFF | 2. Heizung | 3. Funktionsstörung | 4. Circulation | 5. Ventilator |
| 6. Zirkulation | 7. Kompressor | 8. Selektieren | 9. + | 10. - |

4. Verwendung

4.2 Heizbetrieb



WICHTIGER HINWEIS: Stellen Sie eingangs sicher, dass die Filterpumpe korrekt funktioniert.

Schritt 1 : Drücken Sie , um die Pumpe einzuschalten.

Schritt 2 : Wählen Sie mithilfe der Pfeile  und  die gewünschte Temperatur aus.

BEISPIEL:

Wenn die aktuelle Temperatur 15°C beträgt, ist der Standardwert 27°C und die gewünschte Temperatur ist 30°C.

Aktuelle-Temperatur



Soll-Temperatur



Wissenswertes zur Funktion des Heizbetriebs

Wenn die Temperatur des zulaufenden Wassers geringer oder gleich der festgelegten Temperatur (Soll-Temperatur) - X °C ist, schaltet die Wärmepumpe in den Heizbetrieb. Der Kompressor stoppt, wenn die Temperatur des zulaufenden Wassers größer oder gleich der festgelegten Temperatur (Soll-Temperatur)

Angaben zum Einstellbereich X

X : variabler Parameter von 1° bis 15°C, Standardeinstellung bei 3°C. (Parameter N°6)

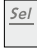
4. Verwendung

4.3 Statuswerte und erweiterte Einstellungen

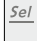


WICHTIGER HINWEIS: Dieser Vorgang dient dazu, künftige Wartungs- und Reparaturarbeiten zu erleichtern. Die Standardeinstellungen sollten nur von erfahrenem Fachpersonal geändert werden.

Die Systemparameter können über die Fernbedienung überprüft und eingestellt werden. Befolgen Sie hierzu die nachfolgenden Schritte.

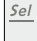
Schritt 1 : Drücken Sie  so oft, bis sich das Gerät im Modus zur Bestätigung der Einstellungen befindet.


Schritt 2 : Drücken Sie  und  um die Einstellungen zu sehen.

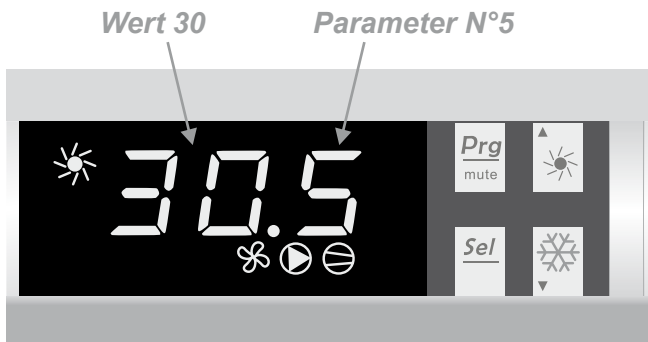
Schritt 3 : Drücken Sie  um die zu ändernde Einstellung auszuwählen.

HINWEIS: Bestimmte Einstellungen können nicht geändert werden. Weitere Informationen können Sie der Parametertabelle entnehmen.

Schritt 4 : Drücken Sie  und  um den Parameterwert einzustellen.

Schritt 5 : Drücken Sie  um den neuen Wert festzulegen.

Schritt 6 : Drücken Sie  um zur Hauptanzeige zurückzukehren.



4. Verwendung

Parametertabelle

Nr.	Beschreibung	Einstellbereich	Werkseinstellung	Anmerkungen
0	Reserviert - Nicht verändern	8~37°C	12°C	Reserviert
1	Standardtemperatur	15~40°C	27°C	Einstellbar
2	Auto-Aktivierungszeit des Abtauvorgangs	10~90 min	40 min	Einstellbar
3	Temperatur für die Aktivierung der Abtaufunktion	-30~0°C	0°C	Einstellbar
4	Temperatur für die Deaktivierung der Abtaufunktion	1~30°C	2°C	Einstellbar
5	Maximale Dauer des Abtauvorgangs	10~40 min	30 min	Einstellbar
6	Einstellung der Temperaturabweichung für den Neustart	2~10°C	3°C	Einstellbar
7	Automatischer Neustart	0 = OFF 1 = ON	1	Einstellbar
8	Reserviert - Nicht verändern	0 / 1 / 2	0	Reserviert
9	Reserviert - Nicht verändern	0 / 1	0	Reserviert
A	Reserviert - Nicht verändern	8~60°C	30°C	Reserviert
B	Frostschutz - niedrige Lufttemperatur	0~15°C	8°C	Einstellbar
C	Frostschutz - niedrige Wassertemperatur	2~14°C	4°C	Einstellbar
D	Reserviert - Nicht verändern	-	-	Reserviert
E	Reserviert - Nicht verändern	0 / 1	0	Reserviert
F	Reserviert - Nicht verändern	3~20°C	5°C	Reserviert
H	Reserviert - Nicht verändern	5~20°C	13°C	Reserviert
J	Reserviert - Nicht verändern	65~90°C	70°C	Reserviert
o	Wasservorlauftemperatur	-9~99°C		Ist-Werte
P	Wasserrücklauftemperatur	-9~99°C		Ist-Werte
t	Temperatur Heizwendel	-9~99°C		Ist-Werte
U	Umgebungstemperatur der Luft	-9~99°C		Ist-Werte

5. Betrieb

5.1 Betrieb

Betriebsbedingungen


Damit die Wärmepumpe normal funktioniert, muss die Umgebungstemperatur der Luft zwischen 7°C und 43 °C liegen.

Empfehlungen für das Vorgehen vor dem Einschalten

Gehen Sie folgendermaßen vor, bevor Sie die Wärmepumpe in Betrieb nehmen:

- ✓ Überprüfen Sie, ob das Gerät standsicher ist.
- ✓ Kontrollieren Sie die ordnungsgemäße Funktion Ihrer Elektroinstallation.
- ✓ Stellen Sie sicher, dass die Hydraulikanschlüsse dicht sind und kein Wasser austritt.
- ✓ Entfernen Sie alle unnötigen Gegenstände und Werkzeuge aus dem Bereich um das Gerät.

Verwendung

1. Schließen Sie den Netzstecker des Geräts an.
2. Aktivieren Sie die Umwälzpumpe.
3. Aktivieren Sie den Stromversorgungsschutz des Geräts (Differenzschalter befindet sich am Stromkabel).
4. Aktivieren Sie die Wärmepumpe durch einmaliges Drücken auf .
5. Wählen Sie die gewünschte Temperatur.
6. Der Kompressor der Wärmepumpe schaltet sich kurz danach ein.

Nun brauchen Sie nur darauf zu warten, dass die Soll-Temperatur erreicht wird.



WICHTIGER HINWEIS: Unter normalen Bedingungen kann eine geeignete Wärmepumpe das Wasser in einem Schwimmbecken um 1 bis 2 °C pro Tag erwärmen. Es ist daher durchaus normal, wenn Sie keinen Temperaturunterschied im System spüren können, während die Wärmepumpe arbeitet.

Um Wärmeverlust zu vermeiden, muss ein beheiztes Schwimmbecken abgedeckt werden.

6. Wartung und Pflege

6.1 Wartung, Pflege und Einwinterung



WICHTIGER HINWEIS: Vor Beginn von Wartungsarbeiten am Gerät müssen Sie das Gerät unbedingt von der Stromversorgung trennen.

Reinigung

Das Gehäuse der Wärmepumpe muss mit einem feuchten Tuch gereinigt werden. Tenside und andere Haushaltsreiniger können die Gehäuseoberfläche beschädigen und ihre Eigenschaften beeinträchtigen.

Der Verdampfer auf der Rückseite der Wärmepumpe muss vorsichtig mit einem Staubsauger mit weichem Bürstenaufsatz abgesaugt werden.

Jährliche Wartung

Folgende Arbeiten sind mindestens einmal pro Jahr von einer qualifizierten Person vorzunehmen:

- ✓ Sicherheitsprüfungen.
- ✓ Überprüfung der Integrität der elektrischen Kabel.
- ✓ Überprüfung der Erdungsanschlüsse.
- ✓ Überprüfung von Manometer und Kältemittel

Einwinterung


Ihre Wärmepumpe ist so konzipiert, dass sie bei Regenwetter und Frost mit einer speziell entwickelten Frostschutztechnologie funktioniert. Es wird jedoch nicht empfohlen, das Gerät für längere Zeit draußen zu lassen (z. B. im Winter). Bewahren Sie die Wärmepumpe nach dem Ablassen des Pools für den Winter an einem trockenen Ort auf.

7. Dépannage



WICHTIGER HINWEIS: Unter normalen Bedingungen kann eine geeignete Wärmepumpe das Wasser in einem Schwimmbecken um 1 bis 2 °C pro Tag erwärmen. Es ist daher durchaus normal, wenn Sie keinen Temperaturunterschied im System spüren können, während die Wärmepumpe arbeitet. Um Wärmeverlust zu vermeiden, muss ein beheiztes Schwimmbecken abgedeckt werden.

7.1 Betriebsstörungen und Fehler

Im Falle eines Fehlers wird auf dem Display der Wärmepumpe anstelle der Temperaturwerte ein Fehlersymbol  angezeigt. Die möglichen Fehlerursachen sowie die zu ergreifenden Maßnahmen entnehmen Sie bitte der unten Tabelle.

Fehlercode	Fehler	Mögliche Ursachen	Maßnahmen
P1	Störung des Sensors für die Wasservorlauftemperatur	Sensor ist nicht richtig angeschlossen	Schließen Sie den Sensor neu an.
		Sensor defekt	Wechseln Sie den Sensor aus.
		Steuerkasten defekt	Wechseln Sie die Steuerkasten aus
P2	Störung des Sensors für die Wasserrücklauftemperatur	Ursachen identisch mit P1	Maßnahmen identisch mit P1
P3	Störung Verdampfer Temperatursensor		
P5	Störung des Sensors für die Außentemperatur		
P7	Frostschutz	Schutz wird aktiviert, wenn die Umgebungstemperatur zu gering ist	Kein Benutzereingriff erforderlich
E6	Niederdruckschutz	Nicht genügend Kältemittel	Korrigieren Sie die Kältemittelmenge.
		Druckschalter nicht angeschlossen oder defekt	Schließen Sie den Druckschalter wieder an bzw. wechseln Sie ihn aus.
		Steuerkasten defekt	Wechseln Sie die Steuerkasten aus
E3	Störung des Durchflusssensors	Nicht genügend Wasser im Wärmetauscher 1	Überprüfen Sie die Funktion des Wasserkreislaufs
		Durchflusssensor defekt	Wechseln Sie den Wasserdurchfluss-Schalterschütz aus
		Steuerkasten defekt	Wechseln Sie die Steuerkasten aus

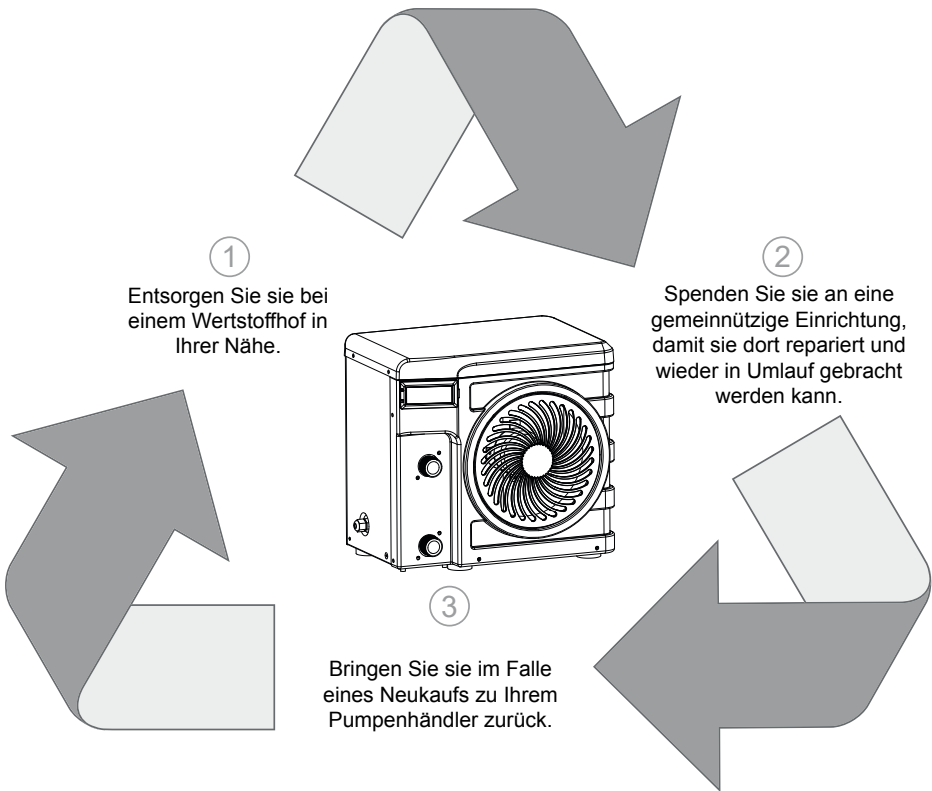
8. Recycling

8.1 Recyceln der Wärmepumpe

Ihre Wärmepumpe hat das Ende ihres Produktlebenszyklus erreicht. Sie möchten sie nun abgeben oder ersetzen. Bitte entsorgen Sie sie nicht über den Hausmüll.

Die Wärmepumpe muss getrennt entsorgt werden, um der Wiederverwendung, dem Recycling oder einer Nachrüstung zugeführt werden zu können. Sie enthält potenziell umweltschädliche Substanzen, die durch das Recycling eliminiert oder neutralisiert werden.

SIE HABEN DREI MÖGLICHKEITEN:



9. Garantie

9.1 Allgemeine Garantiebedingungen

Die Firma Poolstar übernimmt gegenüber dem Erstkäufer für einen Zeitraum von drei (2) Jahren eine Garantie für sämtliche Material- und Fertigungsfehler an der Wärmepumpe Poolex Nano Action.

Für den Kompressor beträgt die Garantiezeit fünf (5) Jahre.

Für den Wärmetauscher aus Titan Garantiezeit fünfzehn (15) Jahre gegen chemische Korrosion, mit Ausnahme von Frostschäden, gewährt.

Für alle anderen Komponenten des Kondensators wird eine Garantie von drei (2) Jahren gewährt.

Die Garantielaufzeit beginnt ab Rechnungsdatum.

In folgenden Fällen gilt die Garantie nicht:

- Fehlfunktionen oder Schäden infolge einer unter Missachtung der Sicherheitshinweise ausgeführten Installation, Nutzung oder Reparatur
- Fehlfunktionen oder Schäden infolge eines ungeeigneten chemischen Milieus des Schwimmbeckens
- Fehlfunktionen oder Schäden infolge einer unsachgemäßen und zweckfremden Verwendung des Geräts
- Schäden infolge von Fahrlässigkeit, Havarie oder höherer Gewalt Fehlfunktionen oder Schäden infolge der Verwendung von nicht zugelassenen Zubehörteilen

Sämtliche Reparaturen, die während der Garantiezeit anfallen, müssen vor Ausführung genehmigt und dürfen nur von einem zugelassenen Techniker vorgenommen werden. Wird eine Reparatur durch eine unbefugte, nicht von der Firma Poolstar zugelassene Person ausgeführt, erlischt die Garantie.

Die von der Garantieleistung abgedeckten Bauteile werden im Ermessen der Firma Poolstar ersetzt oder repariert. Für eine Kostenübernahme müssen defekte Teile innerhalb der Garantiezeit an unser Werk zurückgeschickt werden. Die Garantieleistung erstreckt sich nicht auf die Lohnkosten oder die Kosten von nicht autorisierten Ersatzteilen. Die Kosten für die Rücksendung des fehlerhaften Bauteils sind nicht durch die Garantie abgedeckt.

Sehr geehrter Kunde/sehr geehrte Kundin,

La preghiamo di dedicare qualche minuto alla compilazione del modulo di registrazione della garanzia che troverà nel nostro sito Internet:

<http://support.poolex.de/>

Wir danken Ihnen für Ihr Vertrauen in unsere Produkte.

Viel Spaß beim Schwimmen!

Ihre Angaben unterliegen dem Data Protection Act vom 6. Januar 1978 und werden nicht an Dritte weitergegeben.

WICHTIGER HINWEIS:

Die vertragliche Garantie kann nur dann bei Ihrem Installateur oder bei Poolstar geltend gemacht werden, wenn Sie Ihr Produkt auf unserer Website registriert haben.

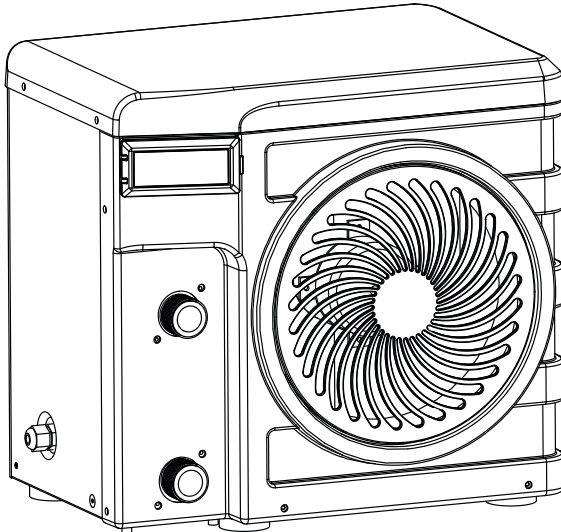
Dank u

Geachte klant,

Dank u voor de aanschaf van deze pomp en voor het gestelde vertrouwen in onze producten.

Onze producten zijn het resultaat van vele jaren van onderzoek op het gebied van ontwerp en productie van warmtepompen voor zwembaden. Ons doel is altijd om u te voorzien van een buitengewoon hoogwaardig product.

Deze handleiding is zorgvuldig samengesteld, zodat u optimaal kunt profiteren van uw Poolex warmtepomp.





LEES DEZE HANDLEIDING ZORGVULDIG

Deze installatie-instructies vormen een integraal onderdeel van het product. Ze moeten beschikbaar gesteld worden aan de installateur en door de gebruiker worden bewaard

Indien de handleiding onverhoopt verloren gaat, raadpleeg dan de website:

www.poolex.nl

De aanwijzingen en aanbevelingen in deze handleiding moeten zorgvuldig gelezen en begrepen worden, aangezien ze waardevolle informatie bevatten over de veilige hantering en het gebruik van de pomp. **Bewaar deze handleiding voor toekomstig gebruik op een gemakkelijk te bereiken plaats.**

De installatie moet worden uitgevoerd door een gekwalificeerde professional in overeenstemming met de geldende voorschriften en de aanwijzingen van de fabrikant. Een installatiefout kan lichamelijk letsel aan personen en dieren veroorzaken, alsmede mechanische schade waarvoor de fabrikant in geen enkel geval aansprakelijk kan worden gesteld.

Controleer de warmtepomp na het uitpakken zodat u eventuele beschadigingen kunt rapporteren. Controleer tevens of de op de manometer aangegeven druk hoger is dan 80 psi. Zo niet, dan kan dit wijzen op gelekte koelvloeistof.

Voordat de warmtepomp wordt aangesloten moet worden gecontroleerd of de informatie in deze handleiding compatibel is met de installatie-instructies en of de voor dit specifieke product toegestane maximumwaarden niet worden overschreden.

In het geval van een defect en/of storing van de warmtepomp, moet de stroomtoevoer worden losgekoppeld en moet niet worden geprobeerd om de fout te repareren. Reparaties moeten uitsluitend worden uitgevoerd door een erkende technische serviceorganisatie met gebruik van originele vervangingsonderdelen. Nalaten om zich te houden aan de bovengenoemde bepalingen kan een negatief effect hebben op de veilige werking van de warmtepomp.

Om de efficiëntie en goede werking van de pomp te garanderen, is het belangrijk dat regelmatig onderhoud wordt uitgevoerd in overeenstemming met de gegeven instructies.

Als de warmtepomp wordt verkocht of overgedragen, moet altijd gezorgd worden dat alle technische documentatie tezamen met het product aan de nieuwe eigenaar wordt overgedragen.

Deze warmtepomp is uitsluitend geschikt voor het verwarmen van een zwembad. Elk ander gebruik moet als ontoepasselijk, incorrect of zelfs als gevaarlijk worden beschouwd.

Alle contractuele of niet-contractuele aansprakelijkheid van de fabrikant/distributeur komt te vervallen in het geval van schade die is veroorzaakt door installatie- of operationele fouten, of door het niet naleven van de instructies in deze handleiding of van de huidige installatienormen die van toepassing zijn op de in dit document beschreven uitrusting.

Inhoud

1. Algemeen	4
1.1 Algemene leveringsvoorwaarden	4
1.2 Veiligheidsinstructies	4
1.3 Waterbehandeling	5
2. Beschrijving	6
2.1 Inhoud van de verpakking	6
2.2 Algemene eigenschappen	6
2.3 Technisch specificaties	7
2.4 Afmetingen	8
2.5 Opengewerkte tekening	9
3. Installatie	10
3.1 Locatie	10
3.2 Indeling van installatie	11
3.3 Hydraulische aansluiting	11
3.4 Elektrische aansluiting	11
4. Gebruik	12
4.1 Bedieningspaneel	12
4.2 Verwarmingsbedrijf	13
4.3 Statuswaarden en geavanceerde instellingen	14
5. Bediening	16
5.1 Bediening	16
6. Onderhoud en service	17
6.1 Onderhoud, service en winteropslag	17
7. Reparaties	18
7.1 Storingen en defecten	18
8. Recyclen	19
8.1 De warmtepomp recyclen	19
9. Garantie	20
9.1 Algemene garantievoorwaarden	20
A. Bijlage	A
A.1 Bedradingsschema	A

1. Algemeen

1.1 Algemene leveringsvoorwaarden

Alle uitrusting wordt verzonden voor het eigen risico van de geadresseerde, zelfs in het geval van franco verzending en verpakking.

De persoon die verantwoordelijk is voor het in ontvangst nemen van de uitrusting moet deze visueel controleren op eventuele beschadigingen tijdens het transport (koelsysteem, panelen, elektrische regelkast, frame). Hij/zij moet opmerkingen over schade tijdens het transport vermelden op de vrachtbrief en dit per aangetekende brief binnen 48 uur melden aan de vervoerder.



De uitrusting moet altijd verticaal op een pallet en in de oorspronkelijke verpakking opgeslagen en getransporteerd worden. Als de uitrusting horizontaal wordt opgeslagen of getransporteerd, moet met het inschakelen ten minste 24 uur worden gewacht.

1.2 Veiligheidsinstructies



WAARSCHUWING: Lees de veiligheidsinstructies zorgvuldig alvorens de uitrusting te gebruiken. De volgende instructies zijn essentieel voor de veiligheid en moeten daarom strikt worden opgevolgd.

Tijdens installatie en onderhoud

Installatiewerkzaamheden, opstarten, onderhoud en reparaties moeten uitsluitend worden uitgevoerd door een gekwalificeerde persoon en overeenkomstig de geldende normen.

Alvorens de uitrusting te gebruiken of daaraan werkzaamheden te verrichten (installatie, ingebruikname, gebruik, onderhoud), moet de verantwoordelijke persoon op de hoogte zijn van alle instructies in de installatiehandleiding van de pomp en van alle technische specificaties.

De uitrusting mag in geen geval dichtbij een hittebron, brandbare materialen of de luchtinlaatopening van een gebouw worden geïnstalleerd.

Als de installatie niet plaatsvindt op een plaats met beperkte toegang, moet een beschermrooster voor de warmtepomp worden aangebracht.

Loop tijdens de installatie, reparatie of onderhoud niet op het leidingwerk, om ernstige brandwonden te voorkomen.

Om ernstige brandwonden te voorkomen moet alvorens werkzaamheden te verrichten aan het koelsysteem de warmtepomp worden uitgeschakeld en moet enkele minuten worden gewacht alvorens de temperatuur- en druksensors te plaatsen.

Controleer tijdens het onderhoud het koelvloeistofniveau van de warmtepomp.

Controleer tijdens de jaarlijkse lekkagecontrole of de hoge- en lagedrukschakelaars correct zijn aangesloten op het koelsysteem en of ze het elektrisch circuit uitschakelen als ze getript worden.

Controleer of er geen sporen van corrosie of olievlekken aanwezig zijn rond de onderdelen met koelvloeistof.

1. Algemeen

Tijdens gebruik

Om ernstig letsel te voorkomen mag de ventilator terwijl deze in bedrijf is nooit worden aangeraakt.

Houd de pomp buiten het bereik van kinderen om ernstig letsel door de bladen van de warmtewisselaar te voorkomen.

Start de uitrusting nooit als het zwembad leeg is of als de circulatiepomp is gestopt.

Controleer maandelijks het waterdebiet en reinig het filter, indien nodig.

Tijdens het reinigen

Schakel de stroomtoevoer naar de uitrusting uit.

Sluit de waterinlaat- en uitlaatkleppen.

Steek niets in de lucht- of waterinlaat- of uitlaatopeningen.

Spoel de uitrusting niet met water af.

Tijdens reparaties

Voer werkzaamheden aan het koelsysteem uit volgens de geldende veiligheidsvoorschriften.

Hardsolderen moet worden gedaan door een gekwalificeerde lasser.

Gebruik voor het vervangen van een defect koelsysteemonderdeel uitsluitend onderdelen die door onze technische afdeling gecertificeerd zijn.

Voor het vervangen van leidingwerk bij reparaties mogen alleen koperen buizen worden gebruikt die voldoen aan de norm NF EN12735-1.

Bij het uitvoeren van drukproeven om lekkages op te sporen:

Gebruik nooit zuurstof of droge lucht, om brand- of ontploffingsgevaar te vermijden.

Gebruik droge stikstof of een mengsel van stikstof en koelvloeistof.

De proefdruk aan de lage en hoge zijde mag niet meer dan maximaal 42 bar bedragen.

1.3 Waterbehandeling

Poolwarmtepompen voor zwembaden kunnen worden gebruikt met alle soorten waterbehandelings-systemen.

Het is niettemin essentieel dat het behandelingssysteem (doseerpompen voor chloor, pH, bromine en/of zoutelektrolyse) na de warmtepomp in het hydraulisch circuit wordt geïnstalleerd.

Om verslechtering van de warmtepomp te voorkomen moet het pH van het water tussen 6,9 en 8,0 worden gehouden.

2. Beschrijving

2.1 Inhoud van de verpakking

- ✓ Warmtepomp Poolex Nano Action
- ✓ 2 hydraulische inlaat-/uitlaataansluitingen 32/38mm diameter
- ✓ Deze installatie- en gebruikershandleiding
- ✓ **4 antitrilrussens**

2.2 Algemene eigenschappen

Een Poolex-warmtepomp heeft de volgende kenmerken:

- CE-certificaat en voldoet aan de Europese RoHS-richtlijn.
- Hoge prestaties met maximaal 80% energiebesparing vergeleken met een conventioneel verwarmingssysteem.
- Schone, efficiënte en milieuvriendelijke R410A-koelvloeistof.
- Betrouwbare en krachtige compressor van een bekend merk.
- Brede hydrofiele verdamper uit aluminium voor gebruik bij lage temperaturen.
- Gebruiksvriendelijk, intuïtief bedieningspaneel.
- Heavy-duty behuizing met anti-UV-behandeling en eenvoudig te onderhouden.
- Een geruisloos concept.

2. Beschrijving

2.3 Technische specificaties

		Nano Action
Lucht ⁽¹⁾ 26°C Water ⁽²⁾ 26°C	Verwarmingsvermogen (W)	2750
	Stroomverbruik (W)	580
	COP (prestatiecoëfficiënt)	4,75
Lucht ⁽¹⁾ 15°C Water ⁽²⁾ 26°C	Verwarmingsvermogen (W)	2150
	Stroomverbruik (W)	540
	COP (prestatiecoëfficiënt)	4
Stroomvoorziening		220-240 V eenfase ~ 50 Hz
Maximum vermogen (W)		810
Maximum stroom (A)		3,62
Bereik verwarmingstemperatuur		15°C~40°C
Werkbereik		7°C~43°C
Afmetingen L x B x H (mm)		404 x 282 x 385
Gewicht (kg)		17
Verpakkingsafmetingen L x B x H (mm)		460 x 370 x 415
Gewicht van verpakking (kg)		19
Geluidsdrukniveau bij 10 m (dBA) ⁽³⁾		<32
Hydraulische aansluiting (mm)		PVC 32 / 38mm
Warmtewisselaar		PVC-tank en titaan verwarmingsspiraal
Min. waterdebiet (m³/u)		1,3
Compressor		GMCC
Type compressor		Roterend
Koelvloeistof		R410A
Koelvloeistofinhoud (kg)		0,3
Aard-opwarmingsvermogen - GWP		2088
Equivalent CO2		0,63
Waterdichtheid IP		IPX4
Drukverlies (mCE)		0,8
Max. inhoud zwembad (m³) ⁽⁴⁾		≤20
Bedieningspaneel		LCD-scherm met achtergrondverlichting
Functie		Verwarming

De technische specificaties van onze warmtepompen zijn uitsluitend gegeven voor informatiedoeleinden. Wij behouden ons het recht voor om zonder voorafgaande kennisgeving wijzigingen aan te brengen.

¹ Omgevingstemperatuur

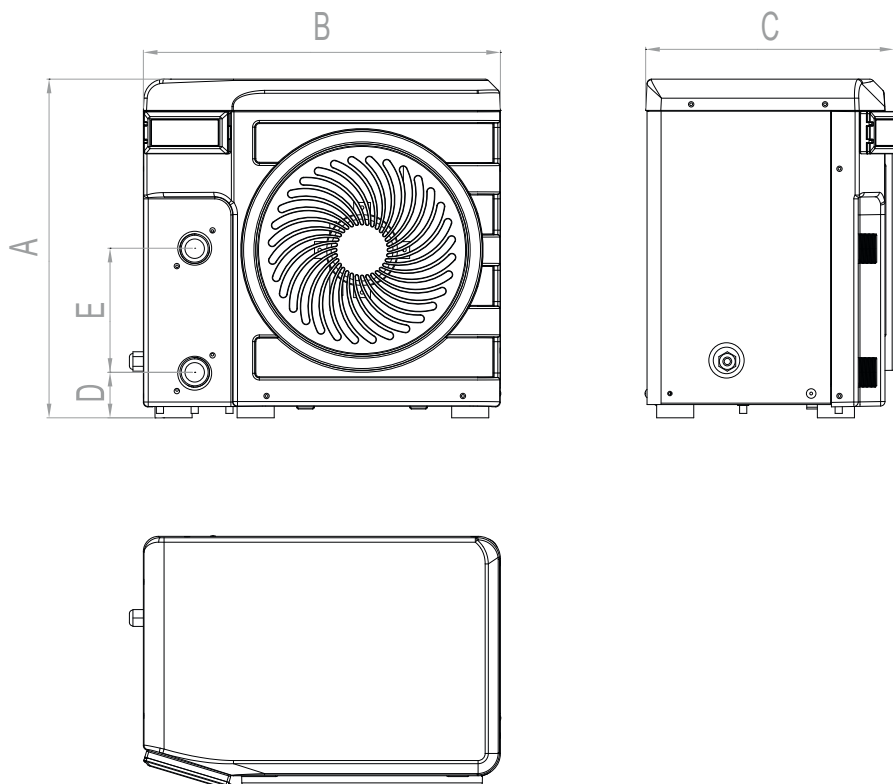
² Initiële watertemperatuur

³ Geluidsniveau op 10 m afstand, conform de richtlijnen EN ISO 3741 en EN ISO 354

⁴ Berekend voor een privézwembad in de grond, afgedekt met een noppenzeil.

2. Beschrijving

2.4 Afmetingen

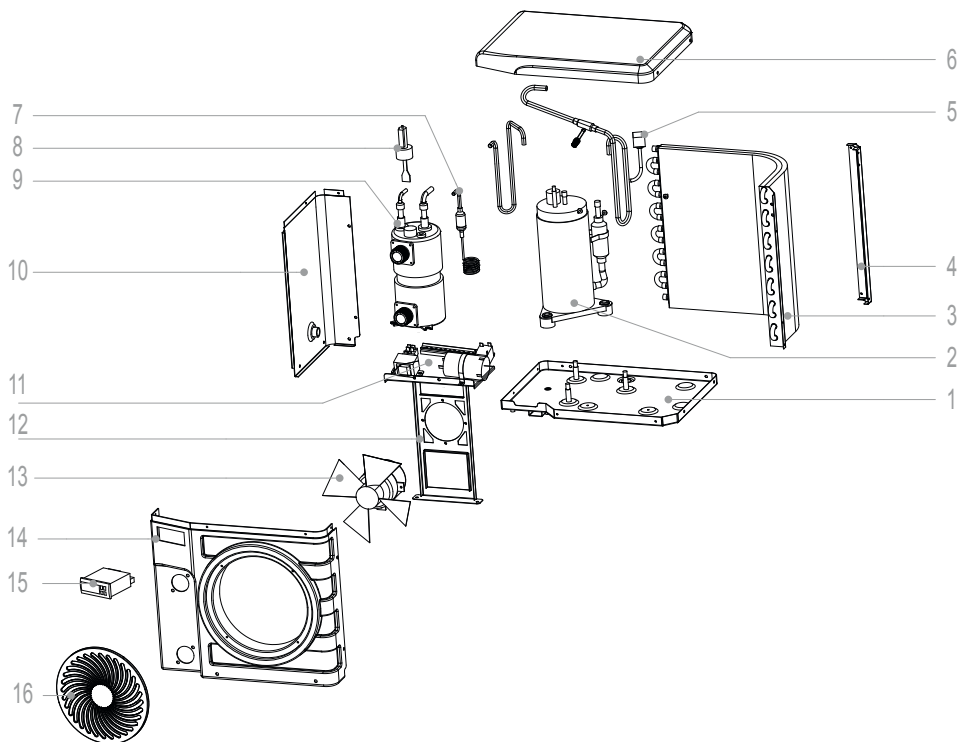


Afmetingen in mm

	Nano Action
A	385
B	404
C	282
D	51,5
E	140

2. Beschrijving

2.5 Opengewerkte tekening



1. Voetplaat
2. Compressor
3. Verdampers
4. Hoeksteun
5. Lagedrukschakelaar
6. Bovenpaneel
7. Drukregelaar
8. Stromingsschakelaar

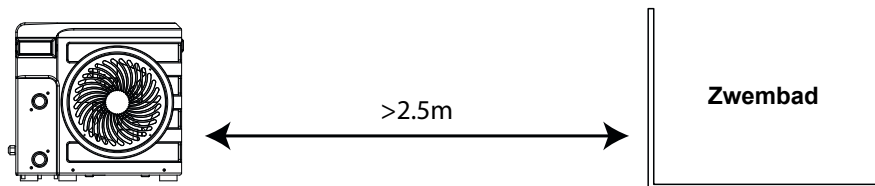
9. Warmtewisselaar
10. Linker paneel
11. Elektrische regelkast
12. Ventilatorsteun
13. Ventilator en motor
14. Voorpaneel
15. Bedieningspaneel
16. Beschermrooster ventilator

3. Installatie

De warmtepomp is zeer eenvoudig te installeren; stroomvoorziening en water is alles wat nodig is tijdens de installatie.

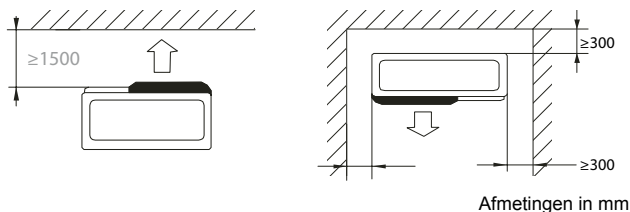
3.1 Locatie

De warmtepomp moet minimaal 2,5 meter van het zwembad verwijderd zijn.



Houd u aan de volgende voorschriften voor uw keuze van de pomplocatie.

1. De toekomstige locatie van de eenheid moet gemakkelijk bereikbaar zijn voor bediening en onderhoud.
2. De pomp moet op de grond worden geïnstalleerd, bij voorkeur plaatsen op een betonvloer. De vloer moet voldoende stabiel zijn en het gewicht van de installatie kunnen dragen.
3. Controleer of de eenheid goed geventileerd is, of de luchtuitlaatopening niet naar de ramen of naar aangrenzende gebouwen is gericht, en of de uitlaatlucht niet kan circuleren. Zorg bovendien voor voldoende ruimte rond de eenheid voor onderhoudswerkzaamheden.
4. De eenheid mag niet worden geïnstalleerd in een omgeving die is blootgesteld aan olie, brandbare gassen, corrosieve producten, zwavelverbindingen of dichtbij apparatuur met een hoge frequentie.
5. Installeer de eenheid niet dichtbij een weg of pad, om modderspatten te voorkomen.
6. Installeer de eenheid in de richting van een omgeving die het minst lawaaigevoelig is, om overlast voor burens te voorkomen.
7. Houd de eenheid zoveel mogelijk buiten het bereik van kinderen.



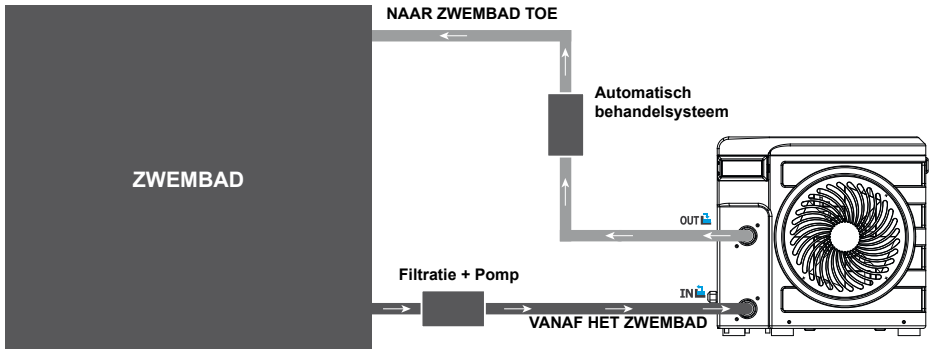
Plaats niets binnen 1,50 meter vóór de warmtepomp.

Laat een vrije ruimte van 30 cm aan de zijkanten en achterzijde van de warmtepomp.

Laat geen obstakels toe boven of voor de eenheid!

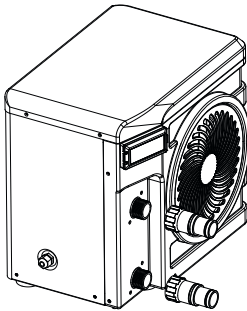
3. Installatie

3.2 Indeling van installatie

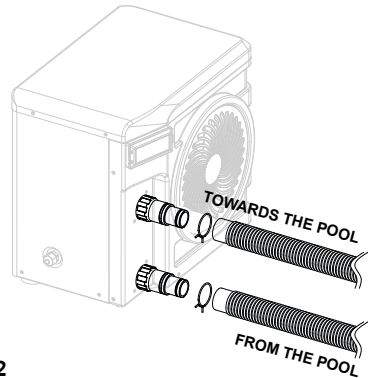


Het filter stroomopwaarts van de warmtepomp moet regelmatig worden gereinigd, zodat het water in het systeem schoon is en problemen in verband met een vervuild of verstopt filter worden voorkomen.

3.3 Hydraulische aansluiting



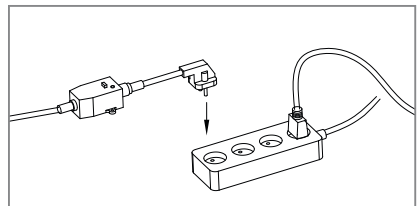
Stap 1 :
Schroef de aansluitingen op de warmtepomp.



Stap 2
Sluit de wateruitlaatpijp en de waterinlaatpijp aan.

3.4 Elektrische aansluiting

De stekker van de warmtepomp bevat een differentiële stroomonderbreker van 10 mA. Zorg voordat de warmtepomp wordt aangesloten dat de stekker geaard is. De filterpomp moet tegelijk met de warmtepomp in werking zijn. Beide moeten daarom aangesloten zijn op hetzelfde elektrische circuit.



4. Gebruik

4.1 Bedieningspaneel



1. AAN/UIT

2. Verwarming

3. Storing

4. Ontdooien

5. Ventilator

6. Circulatie

7. Compressor

8. Selecteren

9. +


10. -

4. Gebruik

4.2 Verwarmingsbedrijf



WAARSCHUWING: Controleer alvorens te starten of de filterpomp goed functioneert.

Stap 1 : Druk op  om de pomp aan te zetten.

Stap 2 : Gebruik de knoppen  en  om de gewenste temperatuur in te stellen.

VOORBEELD:

De huidige temperatuur is 15°C, de ingestelde standaardtemperatuur is 27°, de gewenste temperatuur is 30°C.



Nuttige informatie over hoe de verwarmingsmodus werkt

Wanneer de inkomende watertemperatuur lager of gelijk is aan de gewenste temperatuur (setpoint-temperatuur) -X°C, gaat de warmtepomp over op de verwarmingsmodus. De compressor stopt wanneer de temperatuur van het inkomende water hoger of gelijk is aan de gewenste temperatuur (setpoint-temperatuur).

Indicators voor instelbereik X

X : instelbare parameter van 1° tot 15°C, standaardinstelling is 3°C. (Parameter nr. 6)

4. Gebruik

4.3 Statuswaarden en geavanceerde instellingen




WAARSCHUWING: Deze handeling dient als hulp bij het onderhoud en toekomstige reparaties. De standaardinstellingen mogen slechts door een ervaren professional worden gewijzigd.

De instellingen van het systeem kunnen via de afstandsbediening worden gecontroleerd en aangepast, door deze stappen te volgen


Stap 1 : Blijf drukken  totdat u de verificatiemodus voor de instellingen invoert.


Stap 2 : Druk op  en  om de parameters te zien.

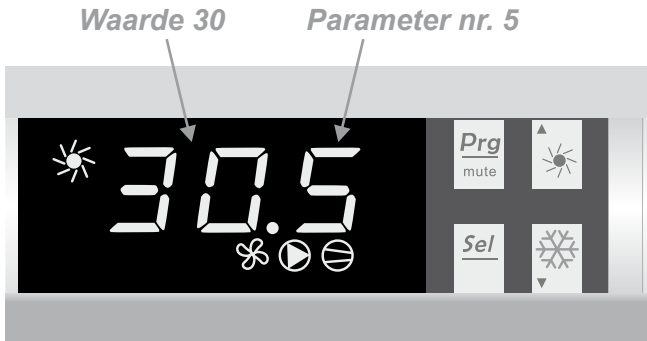
Stap 3 : Druk op  om de instelling die u wilt aanpassen te selecteren.

NB: sommige instellingen kunnen niet worden gewijzigd. Raadpleeg de tabel met instellingen voor meer informatie.

Stap 4 : Druk op  en  om de instelling aan te passen.

Stap 5 : Druk op  om de nieuwe waarde in te stellen.

Stap 6 : Druk op  om terug te gaan naar het hoofdscherm.



4. Gebruik

Parametertabel

Nr.	Beschrijving	Instelbereik	Instelling af fabriek	Opmerkingen
0	Toegewezen - stel niet bij	8~37°C	12°C	Toegewezen
1	Standaardtemperatuur	15~40°C	27°C	Instelbaar
2	Automatische activeringstijd ontdooiing	10~90 min	40 min	Instelbaar
3	Activeringstemperatuur ontdooiing	-30~0°C	0°C	Instelbaar
4	Deactiveringstemperatuur ontdooiing	1~30°C	2°C	Instelbaar
5	Maximale duur ontdooiing	10~40 min	30 min	Instelbaar
6	Aanpassing van temperatuurverschil voor herstarten	2~10°C	3°C	Instelbaar
7	Automatisch herstarten	0 = UIT 1 = AAN	1	Instelbaar
8	Toegewezen - stel niet bij	0 / 1 / 2	0	Toegewezen
9	Toegewezen - stel niet bij	0 / 1	0	Toegewezen
A	Toegewezen - stel niet bij	8~60°C	30°C	Toegewezen
B	Antivriesbescherming - lage luchttemperatuur	0~15°C	8°C	Instelbaar
C	Antivriesbescherming - lage watertemperatuur	2~14°C	4°C	Instelbaar
D	Toegewezen - stel niet bij	-	-	Toegewezen
E	Toegewezen - stel niet bij	0 / 1	0	Toegewezen
F	Toegewezen - stel niet bij	3~20°C	5°C	Toegewezen
H	Toegewezen - stel niet bij	5~20°C	13°C	Toegewezen
J	Toegewezen - stel niet bij	65~90°C	70°C	Toegewezen
o	Waterinlaattemperatuur	-9~99°C		Feitelijke gegevens
P	Wateruitlaattemperatuur	-9~99°C		Feitelijke gegevens
t	Spiraalttemperatuur	-9~99°C		Feitelijke gegevens
U	Omgevingstemperatuur	-9~99°C		Feitelijke gegevens

5. Bediening

5.1 Bediening

Gebruiksvoorwaarden


Om normaal te kunnen functioneren moet de omgevingstemperatuur voor de warmtepomp tussen 7°C en 43°C zijn.

Aanbevelingen vóór opstarten

Voordat u de warmtepomp opstart moet u het volgende doen:

- ✓ Controleren of de eenheid stabiel is.
- ✓ Controleren of uw elektrische installatie goed functioneert.
- ✓ Controleren of de hydraulische aansluitingen goed vastzitten en of er geen sprake is van water-lekkage.
- ✓ Verwijder alle onnodige voorwerpen of gereedschappen rond de eenheid.

Bediening

1. Sluit de stekker van de eenheid aan.
2. Activeer de circulatiepomp.
3. Activeer de beveiliging van de stroomtoevoer (verschilddrukschakelaar en stroomonderbreker).
4. Activeer de warmtepomp door één keer te drukken op .
5. Selecteer de gewenste temperatuur.
6. De compressor van de warmtepomp start kort daarna.

Vervolgens hoeft u slechts te wachten totdat de gewenste temperatuur is bereikt.



WAARSCHUWING: In normale omstandigheden kan de warmtepomp het water in een zwembad met 1°C tot 2°C per dag verwarmen. Het is daarom normaal om geen temperatuurverschil te kunnen voelen terwijl de warmtepomp in bedrijf is. Een verwarmd zwembad moet worden afgedekt om warmteverlies te voorkomen.

6. Onderhoud en service

6.1 Onderhoud, service en winteropslag



WAARSCHUWING: Koppel de eenheid los van de stroomvoorziening voordat u onderhoudswerkzaamheden aan de eenheid uitvoert.

Reiniging

De behuizing van de warmtepomp moet met een vochtige doek worden gereinigd. Het gebruik van oplosmiddelen of andere huishoudelijke producten kan het oppervlak van de behuizing potentieel beschadigen en de eigenschappen ervan aantasten.

De verdampers aan de achterzijde van de warmtepomp moet zorgvuldig worden gereinigd met een stofzuiger waaraan een zachte borstel is bevestigd.

Jaarlijks onderhoud

De volgende handelingen moet jaarlijks door een gekwalificeerde persoon worden verricht.

- ✓ Uitvoeren van veiligheidscontroles.
- ✓ De integriteit van de elektrische bedrading controleren.
- ✓ De aardaansluitingen controleren.
- ✓ De toestand van de manometer en de aanwezigheid van koelvloeistof controleren.

Winteropslag


Uw warmtepomp is ontworpen voor gebruik in regenachtig weer en is bestand tegen vorst dankzij een speciaal ontworpen techniek tegen bevroering. Wij raden echter af om de pomp langdurig buiten te laten staan (bijv. de hele winter). Nadat het zwembad voor de winter is geleegd, moet de warmtepomp op een droge plaats worden opgeslagen.

7. Reparaties



WAARSCHUWING: In normale omstandigheden kan de warmtepomp het water in een zwembad met 1°C tot 2°C per dag verwarmen. Het is daarom normaal om geen temperatuurverschil te kunnen voelen terwijl de warmtepomp in bedrijf is. Een verwarmd zwembad moet worden afgedekt om warmteverlies te voorkomen.

7.1 Storingen en defecten

Als een probleem is opgetreden laat het scherm van de warmtepomp een foutsymbool  zien in plaats van de temperatuur aanduidingen. Raadpleeg de onderstaande tabel om te zoeken naar de oorzaken van de storing en correctiemaatregelen.

Code	Storing	Mogelijke oorzaken	Actie
P1	Waterinlaattemperatuursensor werkt niet	Sensor niet goed aangesloten	Sluit sensor opnieuw aan
		Sensor is defect	Vervang sensor
		Bedieningspaneel defect	Vervang bedieningspaneel
P2	Wateruitlaattemperatuursensor werkt niet	Dezelfde oorzaken als onder P1	Dezelfde acties als onder P1
P3	Verdampertemperatuursensor werkt niet		
P5	Externe temperatuursensor werkt niet		
P7	Antivriesbescherming	Bescherming geactiveerd wegens te lage omgevingstemperatuur.	Geen interventie nodig
E6	Lagedrukbeveiliging	Onvoldoende koelvloeistof	Pas de hoeveelheid koelvloeistof aan
		Drukschakelaar niet aangesloten of defect	De drukschakelaar aansluiten of vervangen
		Bedieningspaneel defect	Vervang bedieningspaneel
E3	Stroomsensor werkt niet	Onvoldoende water in warmtewisselaar	Controleer werking van het watercircuit
		Waterstroomsensor defect	Vervang waterstroomsensor
		Bedieningspaneel defect	Vervang bedieningspaneel

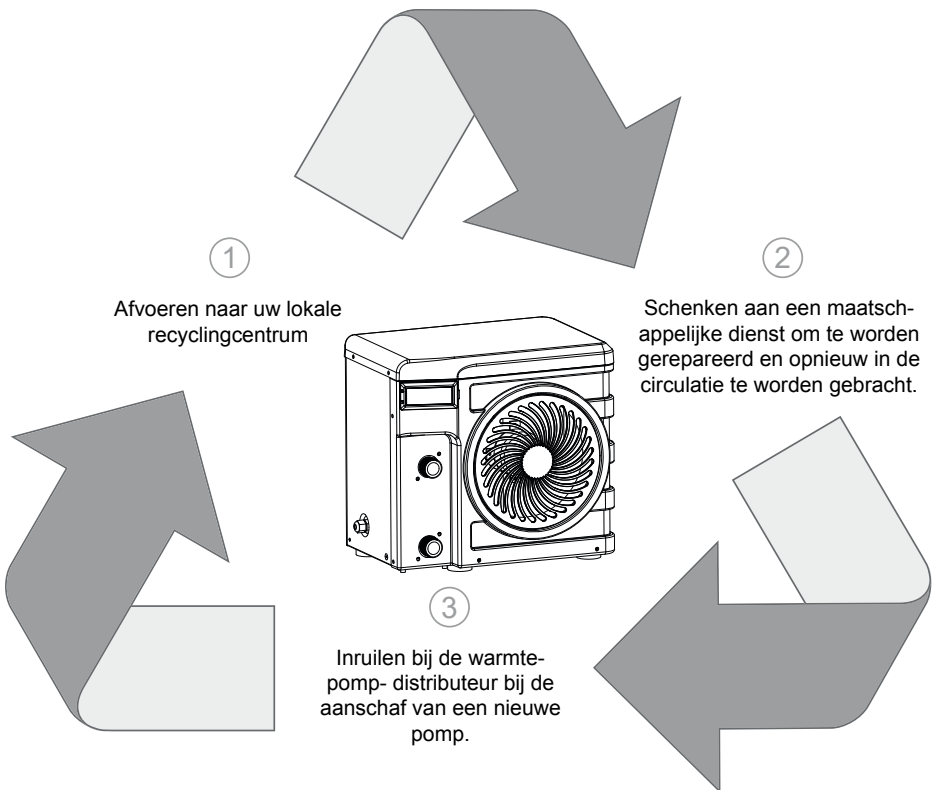
8. Recyclen

8.1 De warmtepomp recyclen

Uw warmtepomp heeft het einde van zijn levensduur bereikt en u wenst de pomp te verwijderen of te vervangen. Doe uw pomp niet bij het huishoudelijk afval.

Een warmtepomp moet afzonderlijk worden afgevoerd met het oog op hergebruik, recyclen of opwaar-deren. De pomp bevat stoffen die potentieel milieugevaarlijk zijn, maar die worden verwijderd of geneutraliseerd tijdens het recyclen.

U HEEFT DRIE MOGELIJKE OPLOSSINGEN:



9. Garantie

9.1 Algemene garantievoorwaarden

De Poolstar Company biedt de oorspronkelijke eigenaar op de Poolex Nano Action warmtepomp twee (2) jaar garantie tegen materiaalgebreken en fabricagefouten.

De compressor is gegarandeerd voor een periode van vijf (5) jaar.

De titaan buizenwarmtewisselaar heeft een garantie van tien (10) jaar tegen chemische corrosie, maar de garantie geldt niet in het geval van schade door bevrozing.

De overige onderdelen van de condensor zijn gegarandeerd voor een periode van twee (2) jaar.

De garantie gaat in op de datum van de eerste factuur.

De garantie is niet van toepassing in de volgende gevallen:

- Defect of schade als gevolg van installatie, gebruik of reparatie die niet in overeenstemming is met de veiligheidsinstructies.
- Defect of schade als gevolg van een chemisch middel dat ongeschikt is voor het zwembad.
- Defect of schade als gevolg van omstandigheden die niet overeenkomen met het bedoelde gebruik van de uitrusting.
- Schade als gevolg van nalatigheid, ongelukken of overmacht.
- Defect of schade als gevolg van het gebruik van ongeautoriseerde accessoires.

Reparaties tijdens de garantieperiode moeten worden goedgekeurd voordat deze door een bevoegde monteur worden uitgevoerd. De garantie komt te vervallen als de reparatie van de uitrusting wordt uitgevoerd door een persoon die niet door Poolstar wordt erkend.

De gegarandeerde onderdelen moeten naar het eigen oordeel van Poolstar worden vervangen of gerepareerd. Gedurende de garantieperiode moeten defecte onderdelen naar onze werkplaatsen worden geretourneerd. De garantie dekt geen arbeidskosten of ongeautoriseerde vervangingsonderdelen. De retourzending van het defecte onderdeel wordt niet door de garantie gedekt.

Geachte heer/mevrouw,

Neem enkele minuten de tijd om de garantiekaart in te vullen die u kunt vinden op onze website:

<http://support.poolex.nl/>

Dank u voor uw vertrouwen in onze producten.

We hopen dat u zult genieten van uw zwembad!

Uw gegevens zullen worden behandeld overeenkomstig met de Franse wet op de persoonsgegevens van 6 januari 1978 en worden niet aan derden doorgegeven.

WAARSCHUWING:

De contractuele garantie kan niet door de installateur of door Poolstar worden geverifieerd tenzij uw product op onze website is geregistreerd.

A. Appendices / Anhänge / Bijlage

A.1 Wiring diagrams / Schaltpläne / Bedringschema

